



TEST REPORT

ETSI EN 300 328 V2.2.2 (2019-07)

Report Reference No.....: **TZ231004983-EDR**

Compiled by

(position+printed name+signature)..: File administrators Nancy Li

Supervised by

(position+printed name+signature)..: Technique principal Hugo Chen

Approved by

(position+printed name+signature)..: Manager Andy Zhang

Date of issue.....: 2023/10/23



Testing Laboratory Name: Shenzhen Tongzhou Testing Co.,Ltd

Address.....: 1th Floor, Building 1, Haomai High-tech Park, Huating Road 387,
Dalang Street, Longhua, Shenzhen, China

Applicant's name: Mid Ocean Brands B.V.

Address.....: Wellensiekstraat 2, 6718 XZ Ede The Netherlands

Test specification :

Standard: **ETSI EN 300 328 V2.2.2 (2019-07)**

TRF Originator.....: Shenzhen Tongzhou Testing Co.,Ltd

Master TRF.....: Dated 2020-03

Shenzhen Tongzhou Testing Co.,Ltd All rights reserved.

This publication may be reproduced in whole or in part for non-commercial purposes as long as the Shenzhen Tongzhou Testing Co.,Ltd is acknowledged as copyright owner and source of the material. Shenzhen Tongzhou Testing Co.,Ltd takes no responsibility for and will not assume liability for damages resulting from the reader's interpretation of the reproduced material due to its placement and context.

Test item description: TWS earbuds

Trade Mark: N/A

Manufacturer:

Model/Type reference.....: MO2176

List Model: N/A

Hardware Version.....: TW26-0107A

Software Version: V1.0

Modulation Type: GFSK, $\pi/4$ -DQPSK

Operation Frequency.....: From 2402 MHz to 2480 MHz

Ratings.....: DC 3.7V by battery
USB Input: DC5V

Result.....: **PASS**

**TEST REPORT**

Test Report No. :	TZ231004983-EDR	2023/10/23 Date of issue
--------------------------	------------------------	-----------------------------

Equipment under Test : TWS earbuds

Model /Type : MO2176

Listed Models : N/A

Applicant : Mid Ocean Brands B.V.

Address : Wellensiekstraat 2, 6718 XZ Ede The Netherlands

Manufacturer :

Address :

Test Result:	PASS
---------------------	-------------

The test report merely corresponds to the test sample.

It is not permitted to copy extracts of these test result without the written permission of the test laboratory.



**** Modified History ****

Revision	Description	Issued Data	Remark
Revision 1.0	Initial Test Report Release	2023/10/23	Andy Zhang



Contents

1.	<u>TEST STANDARDS</u>	5
2.	<u>SUMMARY</u>	6
2.1.	General Remarks	6
2.2.	Product Description	6
2.3.	Equipment Under Test	7
2.4.	Description of the Equipment under Test (EUT)	8
2.5.	EUT Classification:	9
2.6.	EUT configuration	9
2.7.	Modifications	10
2.8.	NOTE	10
3.	<u>TEST ENVIRONMENT</u>	11
3.1.	Address of the test laboratory	11
3.2.	Environmental conditions	11
3.3.	Test Description	11
3.3.1.	Main Terms	11
3.3.2.	Terms used in Condition column	11
3.3.3.	Terms used in Verdict column	11
3.3.4.	Summary of measurement results	12
3.4.	Statement of the measurement uncertainty	13
3.5.	Equipment Used during the Test	14
4.	<u>TEST CONDITIONS AND RESULTS</u>	15
4.1.	ETSI EN 300 328 REQUIREMENTS	15
4.1.1.	RF Output Power	15
4.1.2.	Duty Cycle, TX-sequence, TX-gap	17
4.1.3.	Dwell time, Min. Freq. Occupation and Hopping Sequence	19
4.1.4.	Hopping Frequency Separation	22
4.1.5.	Medium Utilisation (MU) factor	25
4.1.6.	Adaptivity (Adaptive Frequency Hopping)	26
4.1.7.	Occupied Channel Bandwidth	31
4.1.8.	Transmitter unwanted emissions in the out-of-band domain	35
4.1.9.	Transmitter unwanted emissions in the spurious domain	39
4.1.10.	Receiver spurious emissions	42
4.1.11.	Receiver Blocking	44
4.1.12.	Geo-location capability	48
5.	<u>TEST SETUP PHOTOS OF THE EUT</u>	49
6.	<u>EXTERNAL AND INTERNAL PHOTOS OF THE EUT</u>	50



1. TEST STANDARDS

The tests were performed according to following standards:

[ETSI EN 300 328 V2.2.2 \(2019-07\)](#) –Wideband transmission systems;
Data transmission equipment operating in the 2,4 GHz band; Harmonised Standard for access to radio spectrum



2. SUMMARY

2.1. General Remarks

Date of receipt of test sample	:	2023/6/7
Testing commenced on	:	2023/6/7
Testing concluded on	:	2023/6/12

2.2. Product Description

Name of EUT	TWS earbuds
Model(s) Number	MO2176
List Models	N/A
Difference description	N/A
Hardware version	TW26-0107A
Software version	V1.0
Antenna Type	Integral

Wireless Type	Working Frequency	Modulation Type	Version
Bluetooth	2402MHz-2480MHz	GFSK, π /4DQPSK	V5.3



2.3. Equipment Under Test

Power supply system utilised

Power supply voltage	:	<input type="radio"/>	230V/ 50 Hz	<input type="radio"/>	120V/60Hz
		<input type="radio"/>	12 V DC	<input type="radio"/>	24 V DC
		<input checked="" type="radio"/>	Other (specified in blank below)		

DC 3.7V by battery



Description of the test mode

79 channels are provided to the EUT.

Channel	Frequency(MHz)	Channel	Frequency(MHz)
00	2402	40	2442
01	2403	41	2443
02	2404	42	2444
03	2405	43	2445
04	2406	44	2446
05	2407	45	2447
06	2408	46	2448
07	2409	47	2449
08	2410	48	2450
09	2411	49	2451
10	2412	50	2452
11	2413	51	2453
12	2414	52	2454
13	2415	53	2455
14	2416	54	2456
15	2417	55	2457
16	2418	56	2458
17	2419	57	2459
18	2420	58	2460
19	2421	59	2461
20	2422	60	2462
21	2423	61	2463
22	2424	62	2464
23	2425	63	2465
24	2426	64	2466
25	2427	65	2467
26	2428	66	2468
27	2429	67	2469
28	2430	68	2470
29	2431	69	2471
30	2432	70	2472
31	2433	71	2473
32	2434	72	2474
33	2435	73	2475
34	2436	74	2476
35	2437	75	2477
36	2438	76	2478
37	2439	77	2479
38	2440	78	2480
39	2441		

2.4. Description of the Equipment under Test (EUT)

Reference documents:	Bluetooth® Core Specification
Special test descriptions:	None
Configuration descriptions:	TX tests: were performed with x-DH5 packets and static PRBS pattern payload. RX/Standby tests: BT test mode enabled, scan enabled, TX Idle
Test mode:	<input checked="" type="checkbox"/> Bluetooth Test mode loop back enabled (EUT is controlled over CMW500) <input type="checkbox"/> Special software is used. EUT is transmitting pseudo random data by itself
Bluetooth standard capabilities:	79 channels FHSS channel separation 1 MHz used freq. range 2402-2480 MHz Modulation types: GFSK, $\pi/4$ DQPSK Bandwidth appr. 1MHz, 1,5 MHz for single hop frequency number of hopping channels > 15 all the time more than 70% of band used with more than 20 channels



2.5. EUT Classification:

Type of equipment:	<input checked="" type="checkbox"/>	stand alone equipment
	<input type="checkbox"/>	plug in radio equipment
	<input type="checkbox"/>	combined equipment
Modulation types:	<input type="checkbox"/>	Wide Band Modulation (None Hopping – e.g. DSSS, OFDM)
	<input checked="" type="checkbox"/>	Frequency Hopping Spread Spectrum (FHSS)
Adaptive equipment:	<input checked="" type="checkbox"/>	Yes, LBT-based
	<input type="checkbox"/>	Yes, non-LBT-based
	<input type="checkbox"/>	Yes (but can be disabled)
	<input type="checkbox"/>	No
Antennas and transmit operating modes:	<input checked="" type="checkbox"/>	Operating mode 1 (single antenna) Equipment with 1 antenna, Equipment with 2 diversity antennas operating in switched diversity mode by which at any moment in time only 1 antenna is used, Smart antenna system with 2 or more transmit/receive chains, but operating in a mode where only 1 transmit/receive chain is used)
	<input type="checkbox"/>	Operating mode 2 (multiple antennas, no beamforming) Equipment operating in this mode contains a smart antenna system using two or more transmit/receive chains simultaneously but without beamforming.
	<input type="checkbox"/>	Operating mode 3 (multiple antennas, with beamforming) Equipment operating in this mode contains a smart antenna system using two or more transmit/receive chains simultaneously with beamforming. In addition to the antenna assembly gain (G), the beamforming gain (Y) may have to be taken into account when performing the measurements.

2.6. EUT configuration

The following peripheral devices and interface cables were connected during the measurement:

● - supplied by the manufacturer

○ - supplied by the lab



2.7. Modifications

No modifications were implemented to meet testing criteria.

2.8. NOTE

Function	Test Standards	Reference Report
EMF	EN 62479:2010 EN 50663:2017	TZ231004983-EMF
Bluetooth BDR+EDR	ETSI EN 300 328 V2.2.2 (2019-07)	TZ231004983-EDR
EMC	ETSI EN 301 489-1 V2.2.3 (2019-11) ETSI EN 301 489-17 V3.2.4 (2020-09) EN55032:2015+A11:2020 EN55035:2017+A11:2020 EN IEC 61000-3-2:2019 EN61000-3-3:2013+A1:2019	TZ231004983-RE



3. TEST ENVIRONMENT

3.1. Address of the test laboratory

Shenzhen Tongzhou Testing Co.,Ltd
1th Floor, Building 1, Haomai High-tech Park, Huating Road 387, Dalang Street, Longhua, Shenzhen, China
The sites are constructed in conformance with the requirements of ANSI C63.7, ANSI C63.4 (2014) and CISPR Publication 22.

3.2. Environmental conditions

During the measurement the environmental conditions were within the listed ranges:

Normal Temperature: 25°C
High Temperature: 40°C
Low Temperature: -10°C
Normal Voltage: DC 3.7V
High Voltage: DC 4.2V
Low Voltage:DC 3.5V
Relative Humidity: 55 %
Air Pressure: 989 hPa

3.3. Test Description

3.3.1. Main Terms

Verdict	Verdict of each test cases.
Test Case	Test cases identification number and description in ETSI specification.

3.3.2. Terms used in Condition column

NTC Normal voltage, Normal Temperature
HTHV High voltage, High Temperature
LTHV High voltage, Low Temperature
HTLV Low voltage, High Temperature
LTLV Low voltage, Low Temperature

3.3.3. Terms used in Verdict column

Pass	This test cases has been tested, and EUT is conformant to the applied standards in the given frequency band.
Fail	This test cases has been tested, but EUT is not conformant to the applied standards in the given frequency band.
N/A	This test case is either not required/not applicable in the specified band or is not applicable according to the specific PICS/PIXIT for the EUT.
Inc	Test case result is ambiguous in the given frequency band.
Decl	Declaration is received from the client to demonstrate the conformity to the relevant specification in the given frequency band.
BR	This test cases is not tested in the given frequency band, but this testcases was tested with pass result for the initial model in the given frequency band.



3.3.4. Summary of measurement results



No deviations from the technical specifications were ascertained
There were deviations from the technical specifications ascertained

Test Specification Clause	Test Case	Test Condition	Mode	Pass	Fail	N/A	NP	Remark
5.4.2	RF output power	NTC	GFSK	<input checked="" type="checkbox"/>	<input type="checkbox"/>	<input type="checkbox"/>	<input type="checkbox"/>	
		LT	$\pi/4$	<input checked="" type="checkbox"/>	<input type="checkbox"/>	<input type="checkbox"/>	<input type="checkbox"/>	
		HT	DQPSK	<input checked="" type="checkbox"/>	<input type="checkbox"/>	<input type="checkbox"/>	<input type="checkbox"/>	
5.4.2	Duty Cycle, Tx-sequence, Tx-gap	NTC	---	<input type="checkbox"/>	<input type="checkbox"/>	<input checked="" type="checkbox"/>	<input type="checkbox"/>	
5.4.4	Dwell time, min Freq.Occupation and Hopping sequence	NTC	GFSK $\pi/4$ DQPSK	<input checked="" type="checkbox"/>	<input type="checkbox"/>	<input type="checkbox"/>	<input type="checkbox"/>	
5.4.5	Hopping Separation	NTC	GFSK $\pi/4$ DQPSK	<input checked="" type="checkbox"/>	<input type="checkbox"/>	<input type="checkbox"/>	<input type="checkbox"/>	
5.4.2	Medium Utilisation	NTC	---	<input type="checkbox"/>	<input type="checkbox"/>	<input checked="" type="checkbox"/>	<input type="checkbox"/>	
5.4.6	Adaptivity, Short Control Signalling Transmissions	NTC	GFSK $\pi/4$ DQPSK	<input type="checkbox"/>	<input type="checkbox"/>	<input checked="" type="checkbox"/>	<input type="checkbox"/>	
5.4.7	Occupied Channel Bandwidth	NTC	GFSK $\pi/4$ DQPSK	<input checked="" type="checkbox"/>	<input type="checkbox"/>	<input type="checkbox"/>	<input type="checkbox"/>	
5.4.8	Transmitter unwanted emissions in the out-of-band domain	NTC	GFSK $\pi/4$ DQPSK	<input checked="" type="checkbox"/>	<input type="checkbox"/>	<input type="checkbox"/>	<input type="checkbox"/>	
		LT		<input type="checkbox"/>	<input type="checkbox"/>	<input checked="" type="checkbox"/>	<input type="checkbox"/>	
		HT		<input type="checkbox"/>	<input type="checkbox"/>	<input checked="" type="checkbox"/>	<input type="checkbox"/>	
5.4.9	Transmitter unwanted emissions in the spurious domain (conducted & radiated)	NTC	GFSK $\pi/4$ DQPSK	<input checked="" type="checkbox"/>	<input type="checkbox"/>	<input type="checkbox"/>	<input type="checkbox"/>	
5.4.10	Receiver spurious emissions (conducted & radiated)	NTC	GFSK $\pi/4$ DQPSK	<input checked="" type="checkbox"/>	<input type="checkbox"/>	<input type="checkbox"/>	<input type="checkbox"/>	
5.4.11	Receiver Blocking	NTC	----	<input checked="" type="checkbox"/>	<input type="checkbox"/>	<input type="checkbox"/>	<input type="checkbox"/>	

Remark: The measurement uncertainty is not included in the test result.

Note 1: These requirements apply to non-adaptive equipment or to adaptive equipment when operating in a non-adaptive mode. These requirements do not apply for equipment with a maximum declared RF Output power level of less than 10 dBm e.i.r.p.

Note 2: This requirement does not apply to non-adaptive equipment or adaptive equipment operating in a non-adaptive mode. These requirements do not apply for equipment with a maximum declared RF Output power level of less than 10 dBm e.i.r.p.



3.4. Statement of the measurement uncertainty

The data and results referenced in this document are true and accurate. The reader is cautioned that there may be errors within the calibration limits of the equipment and facilities. The measurement uncertainty was calculated for all measurements listed in this test report acc. to ETSI TR 100 028-1 [1], ETSI TS 103 051 [2] and ETSI TS 103 052 [3] and shall correspond to an expansion factor (coverage factor) $k = 1,96$ or $k = 2$ (which provide confidence levels of respectively 95 % and 95,45 % in the case where the distributions characterizing the actual measurement uncertainties are normal (Gaussian)). and is documented in the Shenzhen Tongzhou Testing Co.,Ltd quality system acc. to DIN EN ISO/IEC 17025. Furthermore, component and process variability of devices similar to that tested may result in additional deviation. The manufacturer has the sole responsibility of continued compliance of the device

Hereafter the best measurement capability for Shenzhen Tongzhou Testing Co.,Ltd is reported:

No.	Item	Uncertainty
1	Occupied Channel Bandwidth	$\pm 3.6\text{dB}$
2	RF power, conducted	$\pm 0.16\text{dB}$
3	Power Spectral Density, conducted	$\pm 1.3\text{dB}$
4	Unwanted Emissions, conducted	$\pm 1.3\text{dB}$
5	All emissions, radiated	$\pm 4.7\text{dB}$
6	Temperature	$\pm 0.5^\circ\text{C}$
7	Humidity	$\pm 2\%$
8	DC and low frequency voltages	$\pm 1.5\%$
9	Time	$\pm 1.0\%$
10	Duty Cycle	$\pm 3.0\%$



3.5. Equipment Used during the Test

Conducted Method						
Item	Test Equipment	Manufacturer	Model No.	Serial No.	Calibration Date	Calibration Due Date
1	MXA Signal Analyzer	Keysight	N9020A	MY52091623	2022/12/28	2023/12/27
2	Signal Generator	Keysight	N5182A	MY4620709	2022/12/28	2023/12/27
3	Signal Generator	R&S	SML03	102924/0013	2022/12/28	2023/12/27
4	Power Sensor	Agilent	U2021XA	MY5365004	2022/12/28	2023/12/27
5	Power Meter	Agilent	U2531A	TW53323507	2022/12/28	2023/12/27
6	Climate Chamber	KRUOMR	KRM-1000	KRM16072901	2022/12/28	2023/12/27
7	Wideband Radio Communication Tester	R&S	CMW500	101855	2022/12/28	2023/12/27
8	Test Software	Tonscend	JS1120-3	V2.5.77.0418	--	--

Radiated Method						
Item	Test Equipment	Manufacturer	Model No.	Serial No.	Calibration Date	Calibration Due Date
1	Wideband Antenna	schwarzbeck	VULB 9163	958	2022/11/13	2025/11/12
2	Horn Antenna	schwarzbeck	BBHA 9120D	01989	2022/11/13	2025/11/12
3	EMI Test Receiver	R&S	ESCI	100849/003	2022/12/28	2023/12/27
4	Controller	MF	MF7802	N/A	N/A	N/A
5	Amplifier	schwarzbeck	BBV 9743	209	2022/12/28	2023/12/27
6	Amplifier	Tonscend	TSAMP-0518SE	--	2022/12/28	2023/12/27
7	RF Cable	HUBER+SUHNE R	RG214	N/A	2022/12/28	2023/12/27
8	MXA Signal Analyzer	Keysight	N9020A	MY52091623	2022/12/28	2023/12/27
9	Horn Antenna	ETS	3117	00218874	2022/11/13	2025/11/12
10	Wideband Antenna	Sunol	JB3	A020115	2022/7/3	2025/7/2
11	Test Software	Tonscend	JS36-RSE	V1.0.2.0	--	--

4. TEST CONDITIONS AND RESULTS

4.1. ETSI EN 300 328 REQUIREMENTS

4.1.1. RF Output Power

LIMIT

ETSI EN 300 328 (V2.2.2) §4.3.1.2.2,

The RF output power for FHSS equipment shall be equal to or less than 20 dBm.

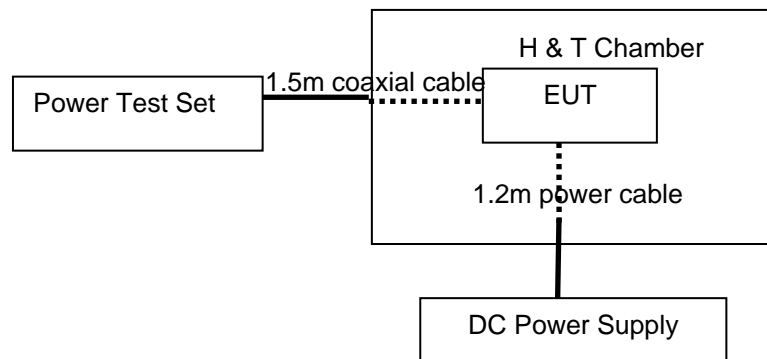
NOTE: For Non-adaptive FHSS equipment, the manufacturer may have declared a reduced RF Output Power (see clause 5.4.1 m)) and associated Duty Cycle (see clause 5.4.1 e)) that will ensure that the equipment meets the requirement for the Medium Utilization (MU) factor further described in clause 4.3.1.6. This is verified by the conformance test referred to in clause 4.3.1.6.4.

For non-adaptive FHSS equipment, where the manufacturer has declared an RF output power lower than 20 dBm

e.i.r.p., the RF output power shall be equal to or less than that declared value.

This limit shall apply for any combination of power level and intended antenna assembly.

TEST CONFIGURATION



TEST PROCEDURE

According to ETSI EN 300 328 V2.2.2 (2019-07) §5.4.2.2.1, conducted method.

**EUT DESCRIPTION:**

Mode:	BT Test mode
Hopping:	On
Packet Type:	Longest supported
Modulation:	GFSK, $\Pi/4$ DQPSK

MEASUREMENT DESCRIPTION

Instrument:	Power Meter measuring burst Power(EMS) of a least 10 packets	
Performed:	<input checked="" type="checkbox"/>	Conducted
	<input type="checkbox"/>	Radiated (only if no conducted sample is provided)

TEST RESULTS

Test Condition	TestMode	Antenna	Channel	EIRP[dBm]	Limit[dBm]	Verdict
NTNV	DH5	Ant1	Hop	-5.66	20	PASS
	2DH5	Ant1	Hop	-7.33	20	PASS
LTVN	DH5	Ant1	Hop	-5.69	20	PASS
	2DH5	Ant1	Hop	-7.26	20	PASS
HTNV	DH5	Ant1	Hop	-5.95	20	PASS
	2DH5	Ant1	Hop	-7.34	20	PASS

Note :Cable loss and antenna gain was combined in the calculated result.



4.1.2. Duty Cycle, TX-sequence, TX-gap

LIMIT

ETSI EN 300 328 V2.2.2 (2019-07) Sub-clause 4.3.1.3

Non-adaptive FHSS equipment shall comply with the following:

- The Duty Cycle shall be equal to or less than the maximum value declared by the manufacturer.
- The maximum Tx-sequence time shall be 5 ms.
- The minimum Tx-gap time shall be 5 ms.

NOTE: For Non-adaptive FHSS equipment, the manufacturer may have declared a reduced RF Output Power (see clause 5.4.1 m)) and associated Duty Cycle (see clause 5.4.1 e)) that will ensure that the equipment meets the requirements for the Medium Utilization (MU) factors further described in clause 4.3.1.6. This is verified by the conformance test referred to in clause 4.3.1.6.4.

TEST PROCEDURE

Please refer to ETSI EN 300 328 (V2.2.2) Sub-clause 5.4.2.2.1.3

For equipment using FHSS modulation, the measurements shall be performed during normal operation (hopping) and the equipment is assumed to have no blacklisted frequencies (operating on all hopping positions). These requirements apply to non-adaptive frequency hopping equipment or to adaptive frequency hopping equipment operating in a non-adaptive mode and only to be performed at normal environmental conditions, shall be as follows:

Step 1:

- Use the same stored measurement samples from the procedure described in clause 5.4.2.2.1.2.
- The start and stop times are defined as the points where the power is at least 30 dB below the highest value of the stored samples. In case of insufficient dynamic range, the value of 30 dB may need to be reduced appropriately.

Step 2:

- Between the saved start and stop times of each individual burst, calculate the TxOn time. Save these TxOn values.

Step 3:

- Duty Cycle (DC) is the sum of all TxOn times between the end of the first gap (which is the start of the first burst within the observation period) and the start of the last burst (within this observation period) divided by the observation period. The observation period is defined in clause 4.3.1.3.2 or clause 4.3.2.4.2.

Step 4:

- For equipment using blacklisting, the TxOn time measured for a single (and active) hopping frequency shall be multiplied by the number of blacklisted frequencies. This value shall be added to the sum calculated in step 3 above. If the number of blacklisted frequencies cannot be determined, the minimum number of hopping frequencies (N) as defined in clause 4.3.1.4.3 shall be assumed.
- The calculated value for Duty Cycle (DC) shall be recorded in the test report. This value shall be equal to or less than the maximum value declared by the manufacturer.

Step 5:

- Use the same stored measurement samples from the procedure described in clause 5.4.2.2.1.2.
- Identify any TxOff time that is equal to or greater than the minimum Tx-gap time as defined in clause 4.3.1.3.3 or clause 4.3.2.4.3. These are the potential valid gap times to be further considered in this procedure.
- Starting from the second identified gap, calculate the time from the start of this gap to the end of the preceding gap. This time is the Tx-sequence time for this transmission. Repeat this procedure until the last identified gap within the observation period is reached.
- A combination of consecutive Tx-sequence times and Tx-gap times followed by a Tx-gap time, which is at least as long as the duration of this combination, may be considered as a single Tx-sequence time and in which case it shall comply with the limits defined in clause 4.3.1.3.3 or clause 4.3.2.4.3.
- It shall be noted in the test report whether the UUT complies with the limits for the maximum Tx-sequence time and minimum Tx-gap time as defined in clause 4.3.1.3.3 or clause 4.3.2.4.3.

EUT DESCRIPTION:

Mode:	BT Testmode
Test Channel	Channel 00(2402MHz),Channel 39(2441MHz),Channel 78(2480MHz)
Modulation:	GFSK, Π/4 DQPSK

MEASUREMENT DESCRIPTION



Instrument:	Power Meter measuring average burst Power of a least 10 packets	
Performed:	<input checked="" type="checkbox"/>	Conducted
	<input type="checkbox"/>	Radiated (only if no conducted sample is provided)

TEST RESULTS

This requirement do not apply for equipment with a maximum declared RF Output power level of less than 10 dBm e.i.r.p. or for equipment when operating in a mode where the RF Output power is less than 10 dBm e.i.r.p. So This requirement do not apply for EUT



4.1.3. Dwell time, Min. Freq. Occupation and Hopping Sequence

LIMIT

According to ETSI EN 300 328 V2.2.2 (2019-07) §4.3.1.4.3

DWELL TIME	
Condition	Limit
<input type="checkbox"/> Non-adaptive frequency hopping systems	≤ 15 ms in any [15 ms * the minimum number of hopping frequencies (N)] time domain
<input checked="" type="checkbox"/> Adaptive frequency hopping systems	≤ 400 ms in any [400 ms * the minimum number of hopping frequencies (N)] time domain
MINIMUM FREQUENCY OCCUPATION TIME	
Condition	Limit
<input type="checkbox"/> Non-adaptive frequency hopping systems	Option 1:Each hopping frequency of the hopping sequence shall be occupied at least once within a period not exceeding four times the product of the dwell time and the number of hopping frequencies in use.
<input checked="" type="checkbox"/> Adaptive frequency hopping systems	Option 2:The occupation probability for each frequency shall be between ((1 / U) × 25 %) and 77 % where U is the number of hopping frequencies in use.
HOPPING SEQUENCE (S)	
Condition	Limit
<input type="checkbox"/> Non-adaptive frequency hopping systems	≥15 hopping frequencies or 15/minimum Hopping Frequency Separation (MHz) whichever is greater.
<input checked="" type="checkbox"/> Adaptive frequency hopping systems	Operating over a minimum of 70% of the Operating in the band 2.4 GHz to 2.4835 GHz
	≥15 hopping frequencies or 15/minimum Hopping Frequency Separation (MHz) whichever is greater.

TEST PROCEDURE

According to ETSI EN 300 328 V2.2.2 (2019-07) §5.4.4.2.1 Conducted measurements.

Dwell time test procedure:

Step 1:

- The output of the transmitter shall be connected to a spectrum analyzer or equivalent.
- The analyzer shall be set as follows:
 - Centre Frequency: Equal to the hopping frequency being investigated
 - Frequency Span: 0 Hz
 - RBW: 1MHz (~ 50 % of the Occupied Channel Bandwidth)
 - VBW: 3MHz (≥ RBW)
 - Detector Mode: RMS
 - Sweep time: 10ms
 - Number of sweep points: 30 000
 - Trace mode: Clear / Write
 - Trigger: Free Run

Step 2:

- Record the value of dwell time, repeat with different DH.

Minimum frequency occupation time and Accumulated Dwell Time

Step 1:

- The output of the transmitter shall be connected to a spectrum analyzer or equivalent
- The analyzer shall be set as follows:
 - Centre Frequency: Equal to the hopping frequency being investigated



- Frequency Span: 0 Hz
- RBW: 1MHz (~ 50 % of the Occupied Channel Bandwidth)
- VBW: 3MHz (\geq RBW)
- Detector Mode: RMS
- Sweep time: Equal to the Dwell Time \times Minimum number of hopping frequencies (N)
(see clause 4.3.1.4.3.1 or clause 4.3.1.4.3.2)
- Number of sweep points: 30 000
- Trace mode: Clear / Write
- Trigger: Free Run

Step 2:

- Save the trace data to a file for further analysis by a computing device using an appropriate software application or program.

Step 3:

- Identify the data points related to the frequency being investigated by applying a threshold. The data points resulting from transmissions on the hopping frequency being investigated are assumed to have much higher levels compared to data points resulting from transmissions on adjacent hopping frequencies. If a clear determination between these transmissions is not possible, the RBW in step 1 shall be further reduced. In addition, a channel filter may be used.
- Count the number of data points identified as resulting from transmissions on the frequency being investigated and multiply this number by the time difference between two consecutive data points.

Step 4:

- The result in step 3 is the Accumulated Transmit Time which shall comply with the limit provided in clause 4.3.1.4.3.1 or clause 4.3.1.4.3.2 and which shall be recorded in the test report.

Step 5:

NOTE 1: This step is only applicable for equipment implementing Option 1 in clause 4.3.1.4.3.1 or clause 4.3.1.4.3.2 for complying with the Frequency Occupation requirement and the manufacturer decides to demonstrate compliance with this requirement via measurement.

- Make the following changes on the analyser and repeat step 2 and step 3.
Sweep time: $4 \times$ Dwell Time \times Actual number of hopping frequencies in use
The hopping frequencies occupied by the equipment without having transmissions during the dwell time (blacklisted frequencies) should be taken into account in the actual number of hopping frequencies in use. If this number cannot be determined (number of blacklisted frequencies unknown) it shall be assumed that the equipment uses the maximum possible number of hopping frequencies.
- The result shall be compared to the limit for the Frequency Occupation defined in clause 4.3.1.4.3.1, option 1 or clause 4.3.1.4.3.2, option 1. The result of this comparison shall be recorded in the test report.

Step 6:

- Make the following changes on the analyzer:
 - Start Frequency: 2 400 MHz
 - Stop Frequency: 2 483,5 MHz
 - RBW: 500KHz [\sim 50 % of the Occupied Channel Bandwidth (single hop)]
 - VBW: 2MHz (\geq RBW)
 - Detector Mode: Peak
 - Sweep time: 1s; this setting may result in long measuring times. To avoid such long measuring times, an FFT analyser may be used
 - Number of sweep points: $\sim 400 /$ Occupied Channel Bandwidth (MHz); the number of sweep points may need to be further increased in case of overlapping channels
 - Trace Mode: Max Hold
 - Trigger: Free Run
- Wait for the trace to stabilize. Identify the number of hopping frequencies used by the hopping sequence. The result shall be compared to the limit (value N) defined in clause 4.3.1.4.3.1 or clause 4.3.1.4.3.2. This value shall be recorded in the test report.
For equipment with blacklisted frequencies, it might not be possible to verify the number of hopping frequencies in use. However they shall comply with the requirement for Accumulated Transmit Time and Frequency Occupation assuming the minimum number of hopping frequencies (N) defined in clause 4.3.1.4.3.1 or clause 4.3.1.4.3.2 is used.

Step 7:

- For adaptive frequency hopping equipment, it shall be verified whether the equipment uses 70 % of the band specified in table 1. This verification can be done using the lowest and highest -20 dB points from the total spectrum envelope obtained in step 6. The result shall be recorded in the test report.

**TEST RESULTS****Accumulated Transmit Time**

TestMode	Antenna	Channel	Result [ms]	Limit[ms]	Verdict
DH5	Ant1	Hop_2402	310.753	400	PASS
		Hop_2480	317.073	400	PASS
2DH5	Ant1	Hop_2402	290.738	400	PASS
		Hop_2480	269.670	400	PASS

Frequency Occupation

TestMode	Antenna	Channel	Result [Num.]	Limit [Num.]	Verdict
DH5	Ant1	Hop_2402	3	1	PASS
		Hop_2480	6	1	PASS
2DH5	Ant1	Hop_2402	6	1	PASS
		Hop_2480	4	1	PASS

Hopping Sequence

TestMode	Antenna	Channel	Hop. [Num.]	Limit[Num.]	Band Use [%]	Limit [%]	Verdict
DH5	Ant1	Hop	79	15	95.41	70	PASS
2DH5	Ant1	Hop	79	15	95.63	70	PASS



4.1.4. Hopping Frequency Separation

LIMIT

ETSI EN 300 328 V2.2.2 (2019-07) 4.3.1.5.3.2:

Adaptive frequency hopping systems The minimum Hopping Frequency Separation shall be 100 kHz.

TEST PROCEDURE

According to ETSI EN 300 328 V2.2.2 (2019-07) §5.4.5.2.1.3,option 2, conducted method.

Step 1:

- The output of the transmitter shall be connected to a spectrum analyzer or equivalent.
- The analyzer shall be set as follows:
 - Centre Frequency: Centre of the two adjacent hopping frequencies
 - Frequency Span: Sufficient to see the complete power envelope of both hopping frequencies
 - RBW: 20 KHz (1 % of the Span)
 - VBW: $\geq (3 \times \text{RBW})$
 - Detector Mode: Max Peak
 - Trace Mode: Max Hold
 - Sweep Time: Auto

Step 2:

- Wait for the trace to stabilize.
- Use the marker-delta function to determine the Hopping Frequency Separation between the peaks of the two adjacent hopping frequencies. This value shall be compared with the limits defined in clause 4.3.1.4.2 and shall be recorded in the test report.

EUT DESCRIPTION:

Mode:	BT Testmode
Hopping:	On
Packet Type:	Longest supported
Modulation:	GFSK, $\Pi/4$ DQPSK

MEASUREMENT DESCRIPTION

Instrument:	Spectrum Analyzer	
Detector:	Max Peak	
Sweep time:	auto	
Video bandwidth:	62 KHz	
Resolution bandwidth:	20 KHz	
Span:	2 MHz	
Trace:	Max hold	
Performed:	<input checked="" type="checkbox"/>	Conducted
	<input type="checkbox"/>	Radiated (only if no conducted sample is provided)



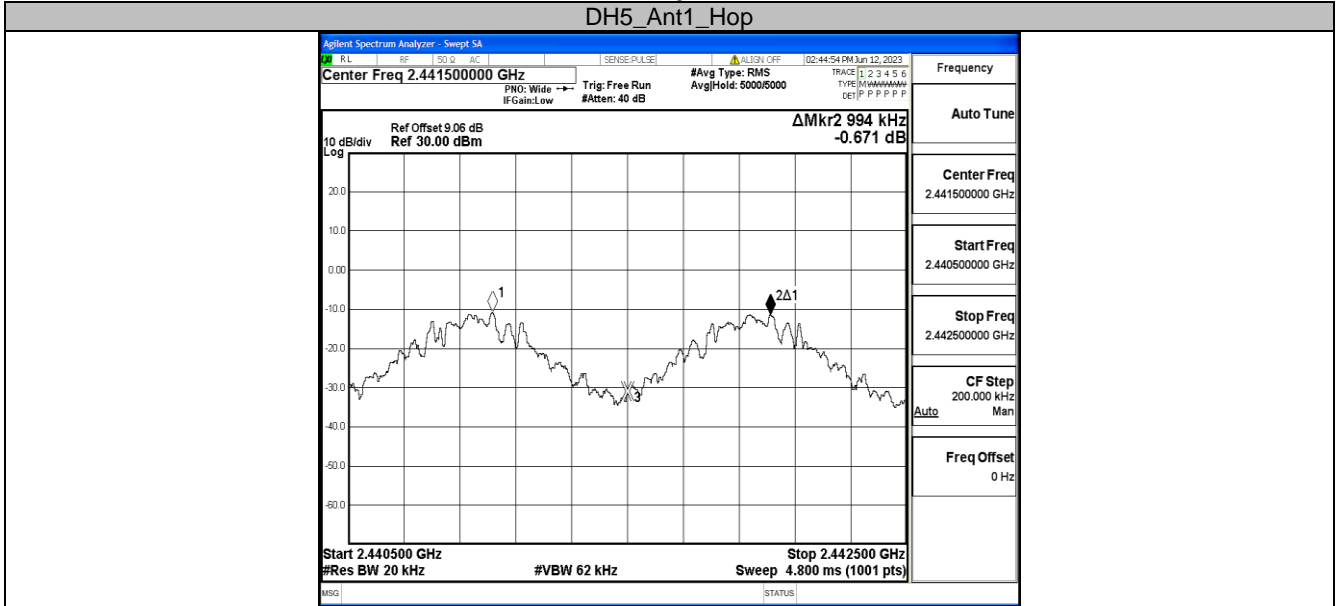
TEST RESULTS

TestMode	Antenna	Channel	Result [MHz]	Limit[MHz]	Verdict
DH5	Ant1	Hop	0.994	0.100	PASS
2DH5	Ant1	Hop	0.994	0.100	PASS

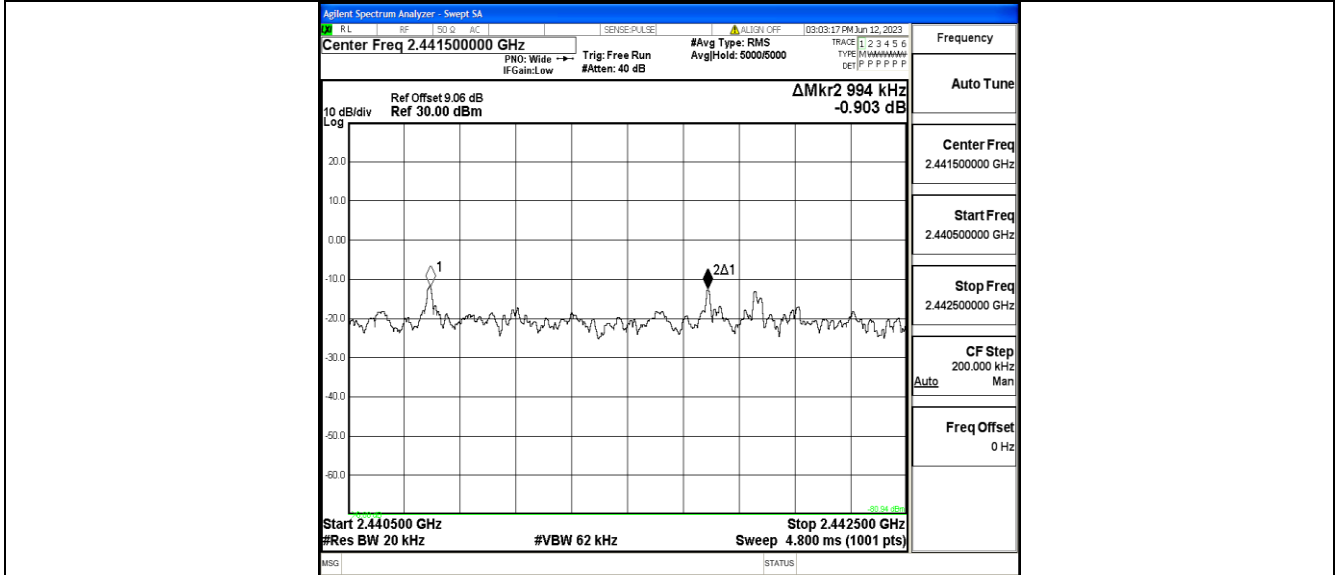


Test plot

DH5_Ant1_Hop



2DH5_Ant1_Hop





4.1.5. Medium Utilisation (MU) factor

LIMIT

ETSI EN 300 328 V2.2.2 (2019-07) Sub-clause 4.3.1.6.3

The maximum Medium Utilization factor for non-adaptive FHSS equipment shall be 10 %.

This requirement does not apply to adaptive equipment unless operating in a non-adaptive mode. In addition, this requirement does not apply for equipment with a maximum declared RF Output power level of less than 10 dBm e.i.r.p. or for equipment when operating in a mode where the RF Output power is less than 10 dBm e.i.r.p.

TEST PROCEDURE

Please refer to ETSI EN 300 328 V2.2.2 (2019-07) Sub-clause 5.4.2.2.1.4

Step 1:

- Use the same stored measurement samples from the procedure described in clause 5.4.2.2.1.2.

Step 2:

- For each burst calculate the product of (Pburst / 100 mW) and the TxOn time. Pburst is expressed in mW. TxOn time is expressed in ms.

Step 3:

- Medium Utilization is the sum of all these products divided by the observation period (expressed in ms) which is defined in clause 4.3.1.3.2 or clause 4.3.2.4.2. This value, which shall comply with the limit given in clause 4.3.1.6.3 or clause 4.3.2.5.3, shall be recorded in the test report.

If operation without blacklisted frequencies is not possible, the power of the bursts on blacklisted hopping frequencies (for the calculation of the Medium Utilization) is assumed to be equal to the average value of the RMS power of the bursts on all active hopping frequencies.

EUT DESCRIPTION:

Mode:	BT Test mode
Test Channel	Channel 00(2402MHz),Channel 39(2441MHz),Channel 78(2480MHz)
Modulation:	GFSK, $\Pi/4$ DQPSK

MEASUREMENT DESCRIPTION

Instrument:	Power Meter measuring average burst Power of a least 10 packets	
Performed:	<input checked="" type="checkbox"/>	Conducted
	<input type="checkbox"/>	Radiated (only if no conducted sample is provided)

TEST RESULTS

Not Applicable according to ETSI EN 300 328 V2.2.2 (2019-07) Sub-clause 4.3.1.6.1

This requirement does not apply to adaptive equipment unless operating in a non-adaptive mode. In addition, this requirement does not apply for equipment with a maximum declared RF Output power level of less than 10 dBm e.i.r.p. or for equipment when operating in a mode where the RF Output power is less than 10 dBm e.i.r.p.



4.1.6. Adaptivity (Adaptive Frequency Hopping)

LIMIT

Requirement	Type	
	Adaptive Frequency Hopping using LBT based DAA	Adaptive Frequency Hopping using other forms of DAA (non-LBT based)
Minimum Clear Channel Assessment (CCA) Time	At least of Max(18 us, 0.2% of COT) (Note 1)	N/A
Maximum Channel Occupancy (COT) Time	2.0ms _{note4} to 60ms/Dwell time (Note 3)	40 ms
Minimum Idle Period	5% of COT and should longer then 100us	At least 5% of COT and 100 μ s
Extended CCA check	(CCA, 5% of COT)	N/A
Short Control Signaling Transmissions	Short Control Signalling Transmissions shall have a maximum TxOn / (TxOn + TxOff) ratio of 10 % within any observation period of 50 ms or within an observation period equal to the dwell time, whichever is less. (Note 2)	

Note 1: The CCA time used by the equipment shall be declared by the supplier.
Note 2: Adaptive equipment may or may not have Short Control Signaling Transmissions.
Note 3: For LBT based adaptive frequency hopping equipment with a dwell time < 60 ms, the maximum Channel Occupancy Time is limited by the dwell time.
Note 4: according to 4.3.1.7.2.2 3) of ETSI EN 300 328 V2.2.2, the 5% of COT should longer then 100us, so the minimum COT should longer then 2.0ms.

Wanted signal mean power from companion device:

$$TL = -70 \text{ dBm/MHz} + 10 \times \log_{10} (100 \text{ mW} / P_{\text{out}}) \text{ (Pout in mW e.i.r.p.)}$$

Unwanted Signal parameters

Wanted signal mean power from companion device	Maximum transmit power (PH) EIRP mW	Threshold Level (TL)
sufficient to maintain the link (see note 2)	2 395 or 2 488,5 (see note 1)	-35 (see note 3)

NOTE 1: The highest frequency shall be used for testing operating channels within the range 2 400 MHz to 2 442 MHz, while the lowest frequency shall be used for testing operating channels within the range 2 442 MHz to 2 483,5 MHz. See clause 5.4.6.1.

NOTE 2: A typical value which can be used in most cases is -50 dBm/MHz.

NOTE 3: The level specified is the level in front of the UUT antenna. In case of conducted measurements, this level has to be corrected by the actual antenna assembly gain.

TEST CONFIGURATION

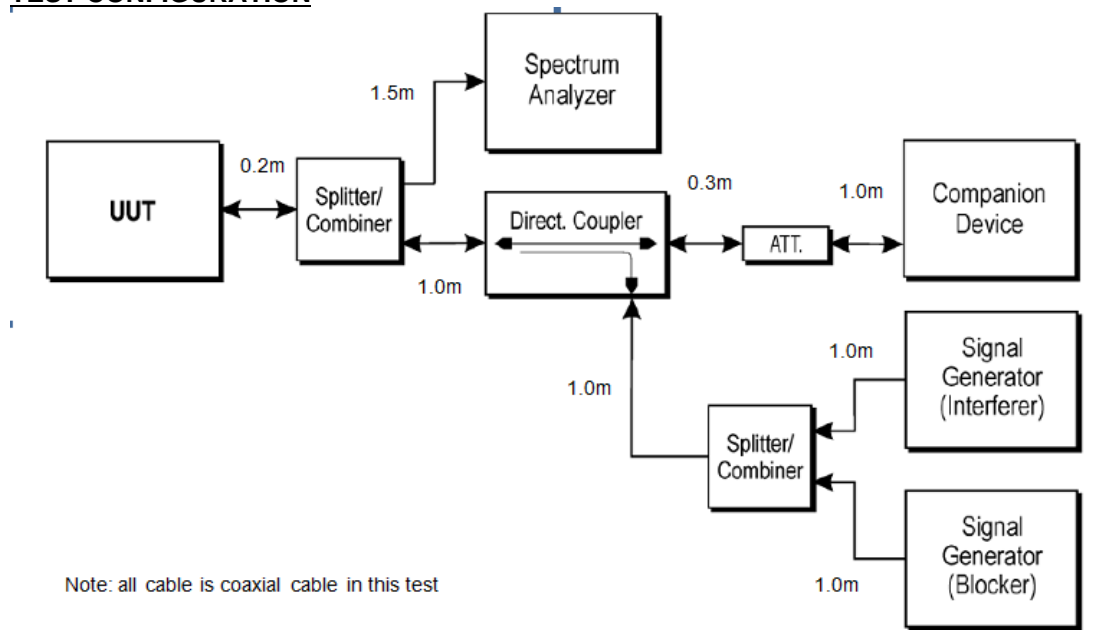


Figure 5: Test set-up for verifying the adaptivity of an equipment

MEASUREMENT DESCRIPTION

According to ETSI EN 300 328 V2.2.2 (2019-07) §5.4.6.2.1.2, Conducted measurements

Step 1 to step 7 below define the procedure to verify the efficiency of the DAA based adaptive mechanisms for frequency hopping equipment. These mechanisms are described in clause 4.3.1.7.

For systems using multiple receive chains only one chain (antenna port) need to be tested. All other receiver inputs shall be terminated.

Step 1:

- The UUT shall connect to a companion device during the test. The interference signal generator, the unwanted signal generator, the spectrum analyser, the UUT and the companion device are connected using a set-up equivalent to the example given by figure 5, although the interference and unwanted signal generators do not generate any signals at this point in time. The spectrum analyser is used to monitor the transmissions of both the UUT and the companion device and it should be possible to distinguish between either transmission. In addition, the spectrum analyser is used to monitor the transmissions of the UUT in response to the interfering and the unwanted signals.

- For the hopping frequency to be tested, adjust the received signal level (wanted signal from the companion device) at the UUT to the value defined in table 2 and table 3 (clause 4).

Testing of Unidirectional equipment does not require a link to be established with a companion device.

- The analyser shall be set as follows:

- RBW: use next available RBW setting below the measured Occupied Channel Bandwidth
- Filter type: Channel Filter
- VBW: \geq RBW
- Detector Mode: RMS
- Centre Frequency: Equal to the hopping frequency to be tested



- Span: 0 Hz
- Sweep time: > Channel Occupancy Time of the UUT. If the Channel Occupancy Time is non-contiguous (non-LBT based equipment), the sweep time shall be sufficient to cover the period over which the Channel Occupancy Time is spread out
- Trace Mode: Clear/Write
- Trigger Mode: Video

Step 2:

- Configure the UUT for normal transmissions with a sufficiently high payload resulting in a minimum transmitter activity ratio (TxOn / (TxOn + TxOff)) of 0,3. Where this is not possible, the UUT shall be configured to the maximum payload possible.
- Using the procedure defined in clause 5.4.6.2.1.5, it shall be verified that, for equipment with a dwell time greater than the maximum allowable Channel Occupancy Time, the UUT complies with the maximum Channel Occupancy Time and minimum Idle Period defined in clause 4.3.1.7.2.2 or clause 4.3.1.7.3.2. When measuring the Idle Period of the UUT, it shall not include the transmission time of the companion device.

Step 3: Adding the interference signal

- An interference signal as defined in clause B.7 is injected centred on the hopping frequency being tested. The power spectral density level (at the input of the UUT) of this interference signal shall be equal to the detection threshold defined in clause 4.3.1.7.2.2 or clause 4.3.1.7.3.2.

Step 4: Verification of reaction to the interference signal

- The spectrum analyser shall be used to monitor the transmissions of the UUT on the selected hopping frequency with the interfering signal injected. This may require the spectrum analyser sweep to be triggered by the start of the interfering signal.

- Using the procedure defined in clause 5.4.6.2.1.5, it shall be verified that:

i) The UUT shall stop transmissions on the hopping frequency being tested.

The UUT is assumed to stop transmissions on this hopping frequency within a period equal to the maximum Channel Occupancy Time defined in clause 4.3.1.7.2.2 or clause 4.3.1.7.3.2. As stated in clause 4.3.1.7.3.2, step 3, the Channel Occupancy Time for non-LBT based frequency hopping equipment may be non-contiguous.

ii) For LBT based frequency hopping equipment, apart from Short Control Signalling Transmissions (see iii) below), there shall be no subsequent transmissions on this hopping frequency, as long as the interference signal remains present.

For non-LBT based frequency hopping equipment, apart from Short Control Signalling Transmissions (see iii) below), there shall be no subsequent transmissions on this hopping frequency for a (silent) period defined in clause 4.3.1.7.3.2, step 2. After that, the UUT may have normal transmissions again for the duration of a single Channel Occupancy Time period (which may be non-contiguous). Because the interference signal is still present, another silent period as defined in clause 4.3.1.7.3.2, step 2 needs to be included. This sequence is repeated as long as the interfering signal is present.

In case of overlapping channels, transmissions in adjacent channels may generate transmission bursts on the channel being investigated; however, they have a lower amplitude as on-channel transmissions. Care should be taken to only evaluate the on-channel transmissions. The Time Domain Power Option of the analyser may be used to measure the RMS power of the individual bursts to distinguish on-channel transmissions from transmissions on adjacent channels. In some cases, the RBW may need to be reduced. To verify that the UUT is not resuming normal transmissions as long as the interference signal is present, the monitoring time may need to be 60 s or more. If transmissions are detected during this period, the settings of the analyser may need to be adjusted to allow an accurate assessment to verify the transmissions comply with the limits for Short Control Signalling Transmissions.

iii) The UUT may continue to have Short Control Signalling Transmissions on the hopping frequency being tested while the interference signal is present. These transmissions shall comply with the limits defined in clause 4.3.1.7.4.2.

The verification of the Short Control Signalling transmissions may require the analyser settings to be changed (e.g. sweep time).

iv) Alternatively, the equipment may switch to a non-adaptive mode.

Step 5: Adding the unwanted signal

- With the interfering signal present, a 100 % duty cycle CW signal is inserted as the unwanted signal. The frequency and the level are provided in table 2 of clause 4.3.1.7.2.2, step 6 or table 3 of clause 4.3.1.7.3.2, step 6.

- The spectrum analyser shall be used to monitor the transmissions of the UUT on the selected hopping frequency. This may require the spectrum analyser sweep to be triggered by the start of the unwanted signal.

- Using the procedure defined in clause 5.4.6.2.1.5, it shall be verified that:

i) The UUT shall not resume normal transmissions on the hopping frequency being tested as long as both the interference and unwanted signals remain present.

To verify that the UUT is not resuming normal transmissions as long as the interference and unwanted signals are present, the monitoring time may need to be 60 s or more. If transmissions are detected during this period, the settings of the analyser may need to be adjusted to allow an accurate assessment to verify



the transmissions comply with the limits for Short Control Signalling Transmissions.

ii) The UUT may continue to have Short Control Signalling Transmissions on the hopping frequency being tested while the interference and unwanted signals are present. These transmissions shall comply with the limits defined in clause 4.3.1.7.4.2.

The verification of the Short Control Signalling transmissions may require the analyser settings to be changed (e.g. sweep time).

Step 6: Removing the interference and unwanted signal

- On removal of the interference and unwanted signal, the UUT is allowed to re-include any channel previously marked as unavailable; however, for non-LBT based equipment, it shall be verified that this shall only be done after the period defined in clause 4.3.1.7.3.2, step 2.

Step 7:

- Step 2 to step 6 shall be repeated for each of the hopping frequencies to be tested.

**MEASUREMENT DESCRIPTION**

Instrument:	Spectrum Analyzer	
Detector:	RMS	
Sweep time:	> Channel Occupancy Time	
Video bandwidth:	≥ RBW	
Resolution bandwidth:	≥ Occupied Channel Bandwidth	
Span:	0 Hz	
Center:	Equal to the hopping freq. to be tested	
Trace:	clear/write video triggered	
Performed:	<input checked="" type="checkbox"/>	Conducted
	<input type="checkbox"/>	Radiated (only if no conducted sample is provided)
	<input type="checkbox"/>	Short Control Signalling Transmissions available

TEST RESULTS

This requirement do not apply for equipment with a maximum declared RF Output power level of less than 10 dBme.i.r.p. or for equipment when operating in a mode where the RF Output power is less than 10 dBme.i.r.p. So This requirement do not apply for EUT



4.1.7. Occupied Channel Bandwidth

LIMIT

According to ETSI EN 300 328 V2.2.2 (2019-07) 4.3.1.8.3

The Occupied Channel Bandwidth for each hopping frequency shall fall completely within the band given in clause 1. For non-adaptive Frequency Hopping equipment with e.i.r.p greater than 10 dBm, the Occupied Channel Bandwidth for every occupied hopping frequency shall be equal to or less than the Nominal Channel Bandwidth declared by the supplier. See clause 5.3.1 j). This declared value shall not be greater than 5 MHz.

TEST PROCEDURE

Please refer to ETSI EN 300 328 (V1.8.1) Sub-clause 5.3.8.2.1

According to ETSI EN 300 328 V2.2.2 (2019-07) §5.3.8.2.1 Conducted measurement

Step 1:

Connect the UUT to the spectrum analyser and use the following settings:

- Centre Frequency: The centre frequency of the channel under test
- Resolution BW: ~ 1 % of the span without going below 1 %
- Video BW: 3 × RBW
- Frequency Span for frequency hopping equipment: Lowest frequency separation that is used within the hopping sequence
- Frequency Span for other types of equipment: 2 × Nominal Channel Bandwidth (e.g. 40 MHz for a 20 MHz channel)
- Detector Mode: RMS
- Trace Mode: Max Hold
- Sweep time: 1 s

Step 2:

Wait for the trace to stabilize.

Find the peak value of the trace and place the analyser marker on this peak.

Step 3:

Use the 99 % bandwidth function of the spectrum analyser to measure the Occupied Channel Bandwidth of the UUT. This value shall be recorded.

NOTE: Make sure that the power envelope is sufficiently above the noise floor of the analyser to avoid the noise signals left and right from the power envelope being taken into account by this measurement.

EUT DESCRIPTION:

Mode:	BT Testmode
Hopping:	Off
Packet Type:	Longest supported
Modulation:	GFSK, $\Pi/4$ DQPSK

MEASUREMENT DESCRIPTION

Instrument:	Spectrum Analyzer	
Detector:	RMS	
Sweep time:	1S	
Video bandwidth:	68KHz	
Resolution bandwidth:	20KHz	
Span:	2MHz	
Center:	Transmit channel	
Trace:	Max hold	
Performed:	<input checked="" type="checkbox"/>	Conducted
	<input type="checkbox"/>	Radiated (only if no conducted sample is provided)

**TEST RESULTS****Test Data**

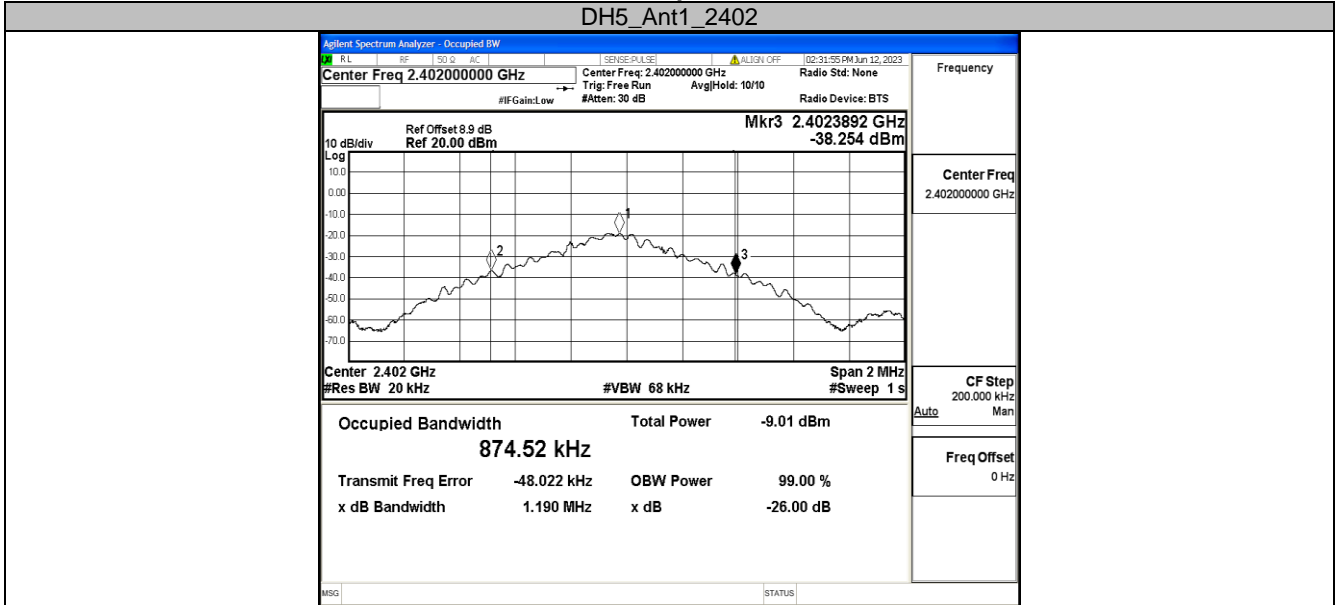
TestMode	Antenna	Channel	OCB[MHz]	FL[MHz]	FH[MHz]	Limit[MHz]	Verdict
DH5	Ant1	2402	0.87452	2401.5147	2402.3892	2400 to 2483.5	PASS
		2441	0.87273	2440.5142	2441.3869	2400 to 2483.5	PASS
		2480	0.87333	2479.5140	2480.3874	2400 to 2483.5	PASS
2DH5	Ant1	2402	1.1912	2401.3597	2402.5509	2400 to 2483.5	PASS
		2441	1.1914	2440.3591	2441.5505	2400 to 2483.5	PASS
		2480	1.1922	2479.3587	2480.5509	2400 to 2483.5	PASS

Test plot as follows:

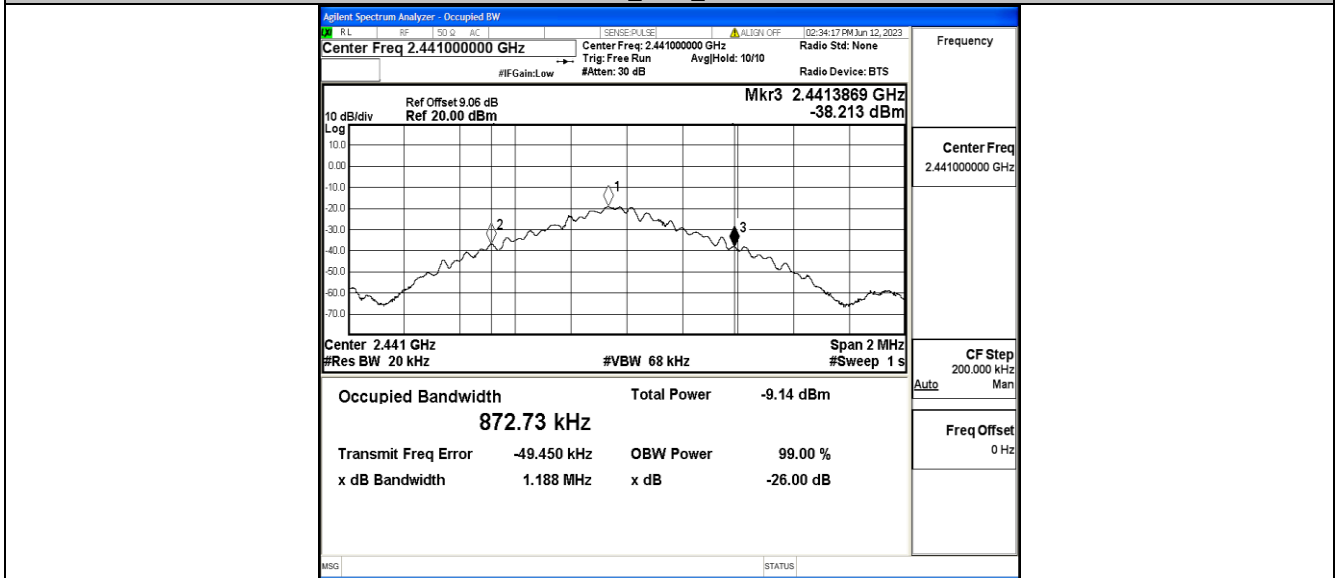


Test plot

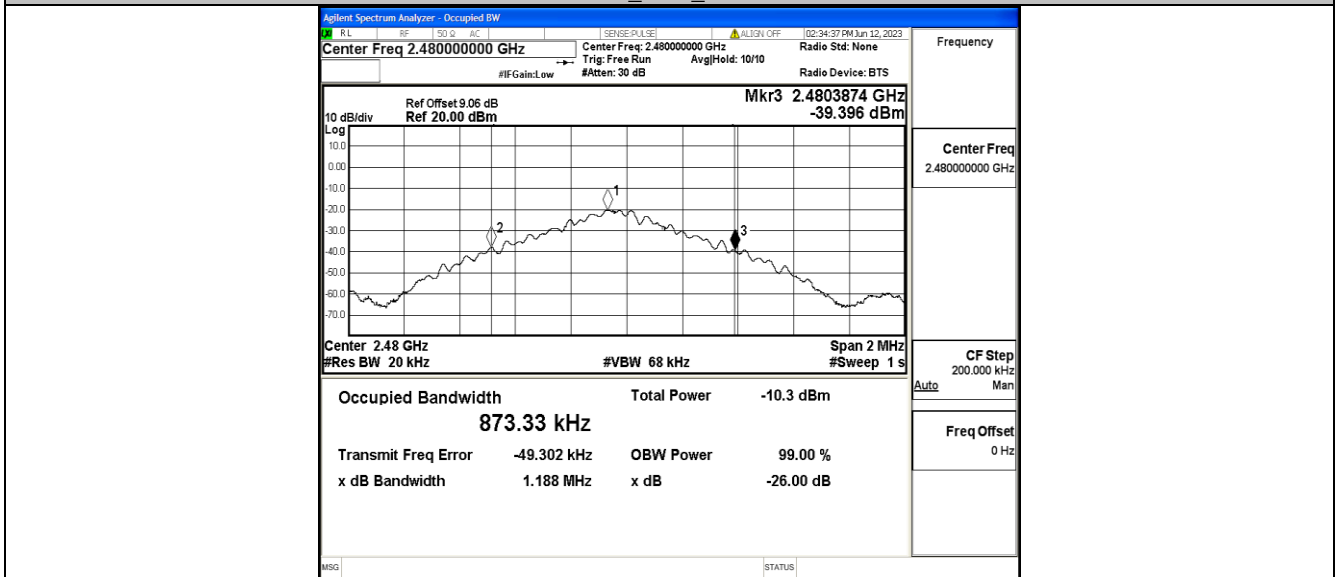
DH5_Ant1_2402



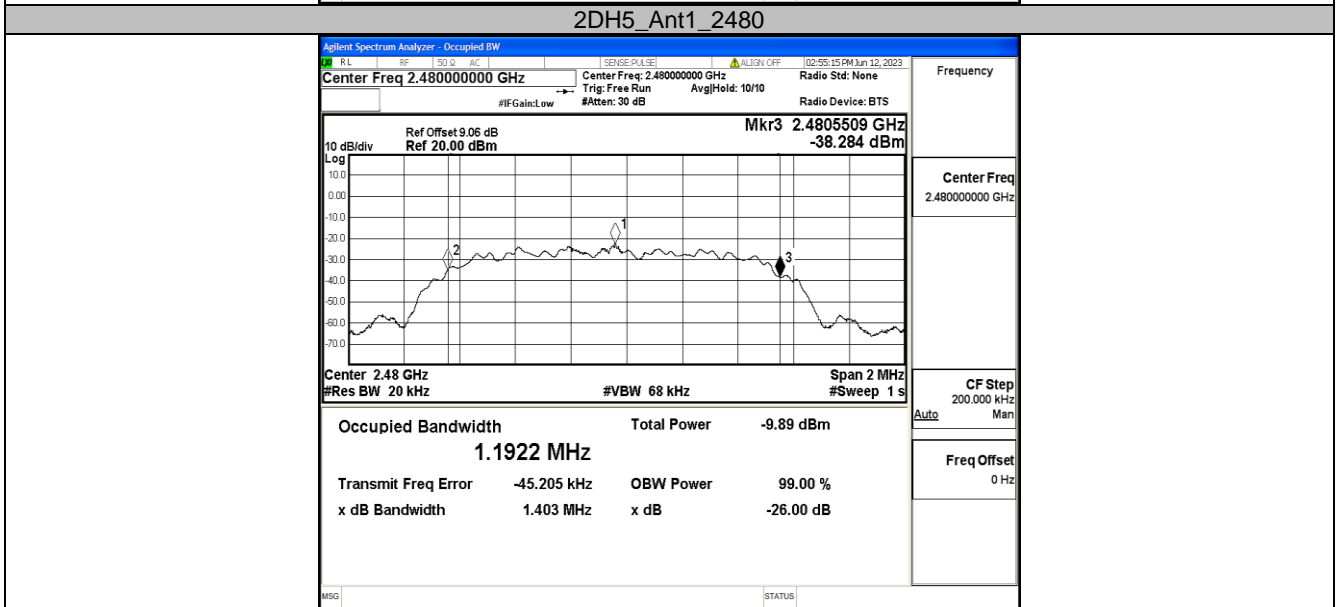
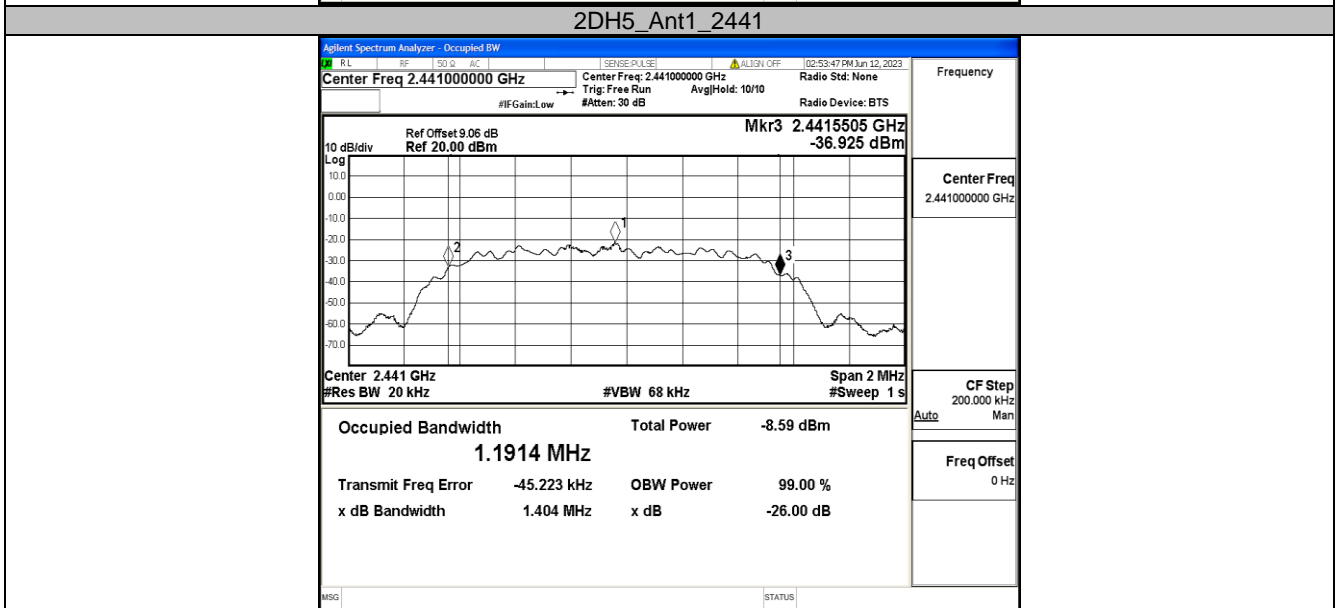
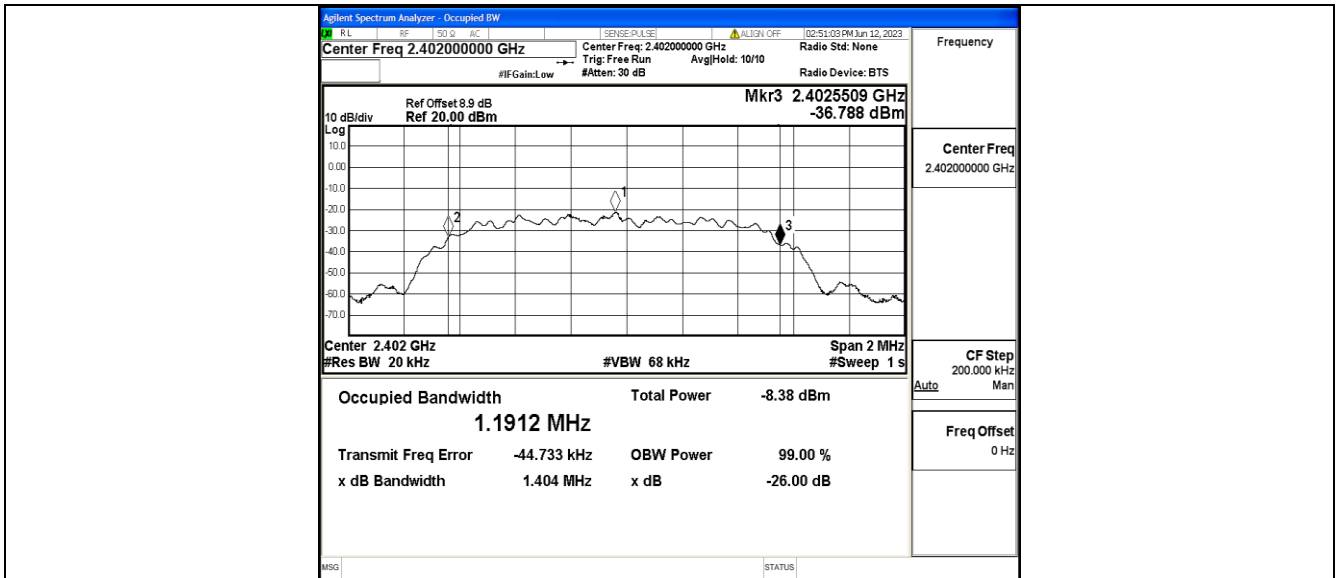
DH5_Ant1_2441



DH5_Ant1_2480



2DH5_Ant1_2402



4.1.8. Transmitter unwanted emissions in the out-of-band domain

LIMIT

ETSI EN 300 328 V2.2.2 (2019-07) Sub-clause 4.3.1.9.3

The transmitter unwanted emissions in the out-of-band domain but outside the allocated band, shall not exceed the values provided by the mask in figure 1.

NOTE: Within the 2 400 MHz to 2 483,5 MHz band, the Out-of-band emissions are fulfilled by compliance with the Occupied Channel Bandwidth requirement in clause 4.3.1.8

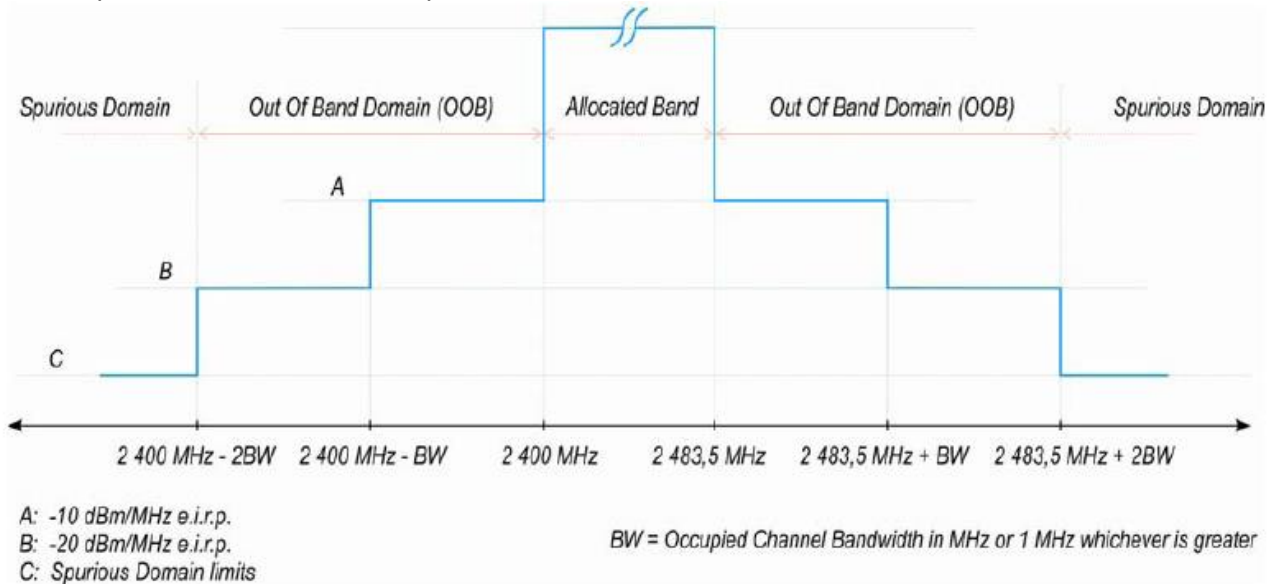


Figure 1: Transmit mask

Transmitter unwanted emissions in the out-of-band domain are emissions when the equipment is in Transmit mode, on frequencies immediately outside the necessary bandwidth which results from the modulation process, but excluding spurious.

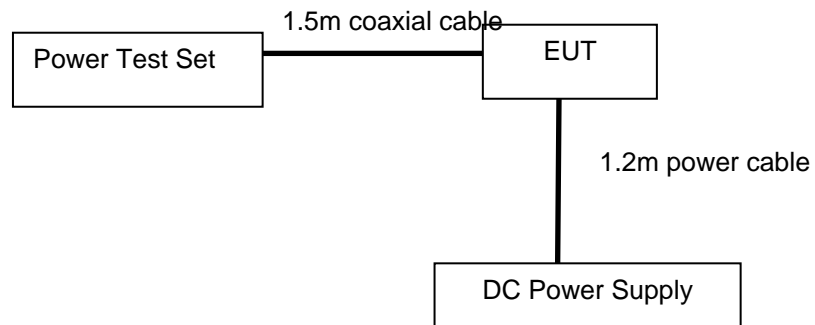
These measurements shall only be performed at normal test conditions.

For systems using FHSS modulation, the measurements shall be performed during normal operation (hopping).

For systems using wide band modulations other than FHSS, the measurement shall be performed at the lowest and the highest channel on which the equipment can operate. These operating channels shall be recorded.

The equipment shall be configured to operate under its worst case situation with respect to output power. If the equipment can operate with different Occupied Channel Bandwidths (e.g. 20 MHz and 40 MHz), than each channel bandwidth shall be tested separately.

TEST CONFIGURATION



TEST PROCEDURE

According to ETSI EN 300 328 V2.2.2 (2019-07) §5.4.8.2.1, conducted method.

Connect the UUT to the spectrum analyser and use the following settings:

- Centre Frequency: evaluated frequency
- Span: 0 Hz
- Resolution BW: 1 MHz
- Filter mode: Channel filter
- Video BW: 3 MHz
- Detector Mode: RMS
- Trace Mode: Max Hold
- Sweep Mode: Continuous
- Sweep Points: Sweep Time [s] / (1 μ s) or 5 000 whichever is greater
- Trigger Mode: Video trigger

NOTE 1: In case video triggering is not possible, an external trigger source may be used.

- Sweep Time: > 120 % of the duration of the longest burst detected during the measurement of the RF Output Power

Step 2: (segment 2 483,5 MHz to 2 483,5 MHz + BW)

- Adjust the trigger level to select the transmissions with the highest power level.
- For frequency hopping equipment operating in a normal hopping mode, the different hops will result in signal bursts with different power levels. In this case the burst with the highest power level shall be selected.
- Set a window (start and stop lines) to match with the start and end of the burst and in which the RMS power shall be measured using the Time Domain Power function.
- Select RMS power to be measured within the selected window and note the result which is the RMS power within this 1 MHz segment (2 483,5 MHz to 2 484,5 MHz). Compare this value with the applicable limit provided by the mask.
- Increase the centre frequency in steps of 1 MHz and repeat this measurement for every 1 MHz segment within the range 2 483,5 MHz to 2 483,5 MHz + BW. The centre frequency of the last 1 MHz segment shall be set to 2 483,5 MHz + BW - 0,5 MHz (which means this may partly overlap with the previous 1 MHz segment).

Step 3: (segment 2 483,5 MHz + BW to 2 483,5 MHz + 2BW)

- Change the centre frequency of the analyser to 2 484 MHz + BW and perform the measurement for the first 1 MHz segment within range 2 483,5 MHz + BW to 2 483,5 MHz + 2BW. Increase the centre frequency in 1 MHz steps and repeat the measurements to cover this whole range. The centre frequency of the last 1 MHz segment shall be set to 2 483,5 MHz + 2 BW - 0,5 MHz.

Step 4: (segment 2 400 MHz - BW to 2 400 MHz)

- Change the centre frequency of the analyser to 2 399,5 MHz and perform the measurement for the first 1 MHz segment within range 2 400 MHz - BW to 2 400 MHz. Reduce the centre frequency in 1 MHz steps and repeat the measurements to cover this whole range. The centre frequency of the last 1 MHz segment shall be set to 2 400 MHz - BW + 0,5 MHz.

Step 5: (segment 2 400 MHz - 2BW to 2 400 MHz - BW)

- Change the centre frequency of the analyser to 2 399,5 MHz - BW and perform the measurement for the first 1 MHz segment within range 2 400 MHz - 2BW to 2 400 MHz - BW. Reduce the centre frequency in 1 MHz steps and repeat the measurements to cover this whole range. The centre frequency of the last 1 MHz segment shall be set to 2 400 MHz - 2BW + 0,5 MHz.

Step 6:

- In case of conducted measurements on equipment with a single transmit chain, the declared antenna assembly gain "G" in dBi shall be added to the results for each of the 1 MHz segments and compared with the limits provided by the mask given in figures 1 or 3. If more than one antenna assembly is intended for this power setting, the antenna with the highest gain shall be considered.
- In case of conducted measurements on smart antenna systems (equipment with multiple transmit chains), the measurements need to be repeated for each of the active transmit chains. The declared antenna assembly gain "G" in dBi for a single antenna shall be added to these results. If more than one antenna assembly is intended for this power setting, the antenna with the highest gain shall be considered.

Comparison with the applicable limits shall be done using any of the options given below:

Option 1: the results for each of the transmit chains for the corresponding 1 MHz segments shall be added. The additional beamforming gain "Y" in dB shall be added as well and the resulting values compared with the limits provided by the mask given in figures 1 or 3.

Option 2: the limits provided by the mask given in figures 1 or 3 shall be reduced by $10 \times \log_{10}(A_{ch})$ and the additional beamforming gain "Y" in dB. The results for each of the transmit chains shall be individually compared with these reduced limits



NOTE: Ach refers to the number of active transmit chains.
It shall be recorded whether the equipment complies with the mask provided in figure 1 or figure 3.

EUT DESCRIPTION:

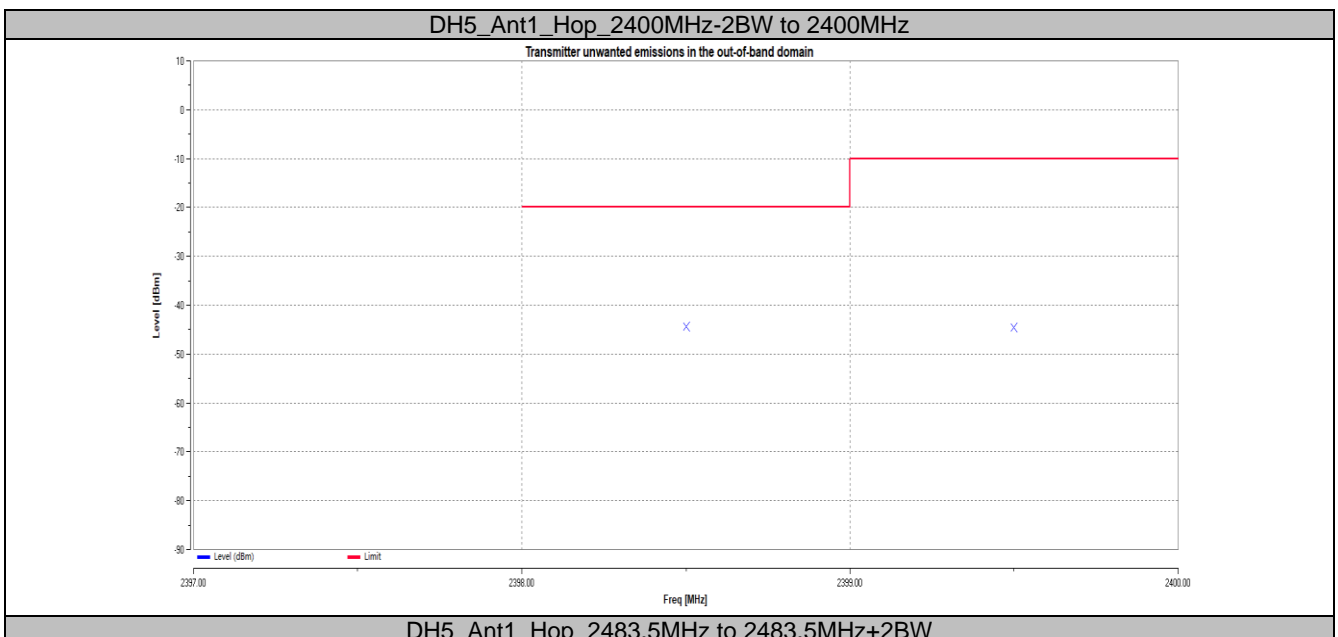
Mode:	BT Testmode
Hopping:	On
Packet Type:	Longest supported
Modulation:	GFSK, $\pi/4$ DQPSK

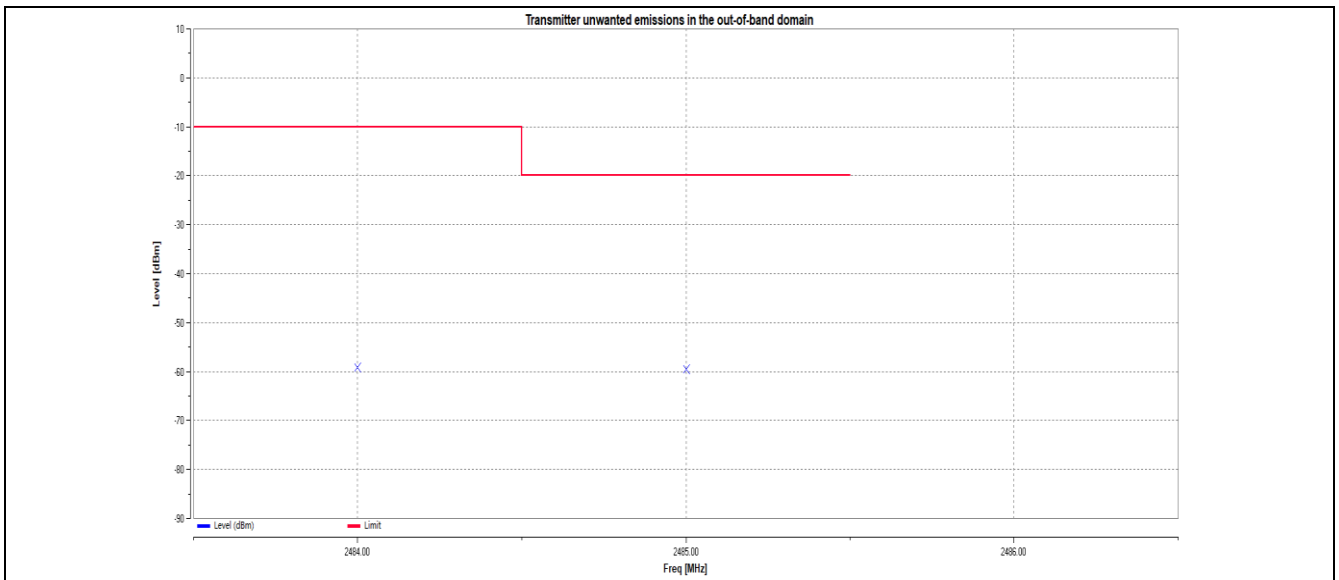
MEASUREMENT DESCRIPTION

Instrument:	Spectrum Analyzer	
Detector:	RMS	
Sweep time:	depending on packet length	
Video bandwidth:	3MHz	
Resolution bandwidth:	1MHz	
Span:	0Hz	
Center:	fc (see result table)	
Trigger Mode:	Video trigger	
Sweep points:	Sweep Time [s] / (1 μ s) or 5 000 whichever is greater	
Performed:	<input checked="" type="checkbox"/>	Conducted
	<input type="checkbox"/>	Radiated (only if no conducted sample is provided)

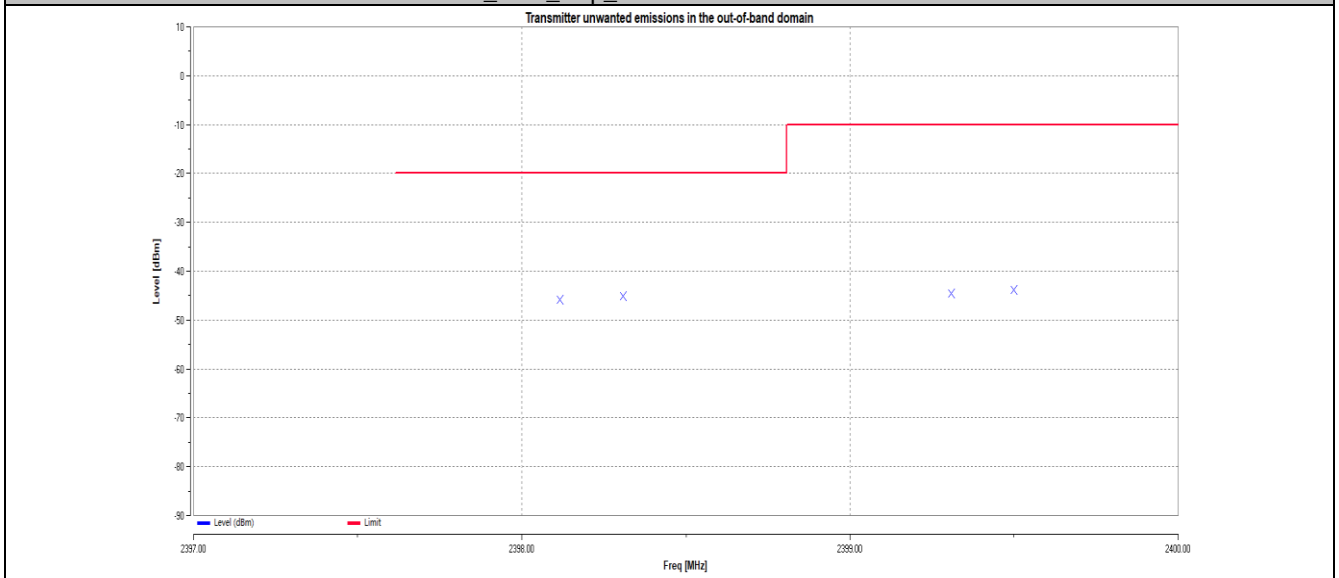
TEST RESULTS

TestMode	Antenna	Channel	Freq. [MHz]	Level[dBm]	Limit[dBm]	Verdict
DH5	Ant1	Hop	2398.5	-44.42	-20.00	PASS
			2399.5	-44.51	-10.00	PASS
			2484	-59.12	-10.00	PASS
			2485	-59.48	-20.00	PASS
2DH5	Ant1	Hop	2398.1156	-45.90	-20.00	PASS
			2398.3078	-45.05	-20.00	PASS
			2399.3078	-44.61	-10.00	PASS
			2399.5	-43.80	-10.00	PASS
			2484	-57.27	-10.00	PASS
			2484.1922	-58.27	-10.00	PASS
			2485.1922	-57.68	-20.00	PASS
2485.3844	-58.64	-20.00	PASS			

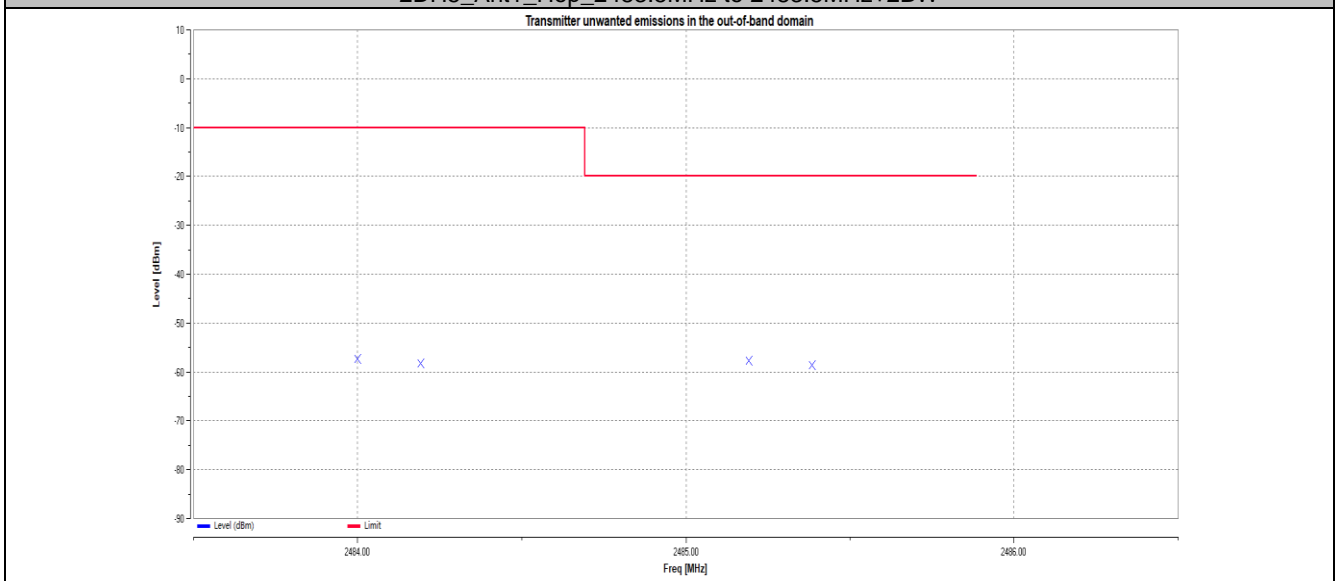




2DH5_Ant1_Hop_2400MHz-2BW to 2400MHz



2DH5_Ant1_Hop_2483.5MHz to 2483.5MHz+2BW



Note: Cable loss and antenna gain was combined in the calculated result.

4.1.9. Transmitter unwanted emissions in the spurious domain

Limit

According to ETSI EN 300 328 V2.2.2(2016-11) §4.3.1.10.3

The transmitter unwanted emissions in the spurious domain shall not exceed the values given in table 4.

Table 1: Transmitter limits for spurious emissions

Frequency Range	Maximum power e.r.p.(≤ 1 GHz) e.i.r.p.(> 1 GHz)	Limit when Standby
30 MHz to 47 MHz	-36 dBm	100 KHz
47 MHz to 74 MHz	-54 dBm	100 KHz
74MHz to 87.5 MHz	-36 dBm	100 KHz
87.5 MHz to 118 MHz	-54 dBm	100 KHz
118 MHz to 174 MHz	-36 dBm	100 KHz
174 MHz to 230 MHz	-54 dBm	100 KHz
230 MHz to 470 MHz	-36 dBm	100 KHz
470 MHz to 694 MHz	-54 dBm	100 KHz
694 MHz to 1 GHz	-36 dBm	100 KHz
1 GHz to 12.75 GHz	-30 dBm	1 MHz

These measurements shall only be performed at normal test conditions.

The level of spurious emissions shall be measured as, either:

- a) their power in a specified load (conducted spurious emissions) and their effective radiated power when radiated by the cabinet or structure of the equipment (cabinet radiation); or
- b) their effective radiated power when radiated by cabinet and antenna in case of Integral antenna equipment with no antenna connectors.

For equipment using FHSS modulation, the measurements may be performed when normal hopping is disabled. In this case measurements need to be performed when operating at the lowest and the highest hopping frequency. When this is not possible, the measurement shall be performed during normal operation (hopping).

For systems using wide band modulations other than FHSS, the measurement shall be performed at the lowest and the highest channel on which the equipment can operate. These frequencies shall be recorded.

The equipment shall be configured to operate under its worst case situation with respect to output power.

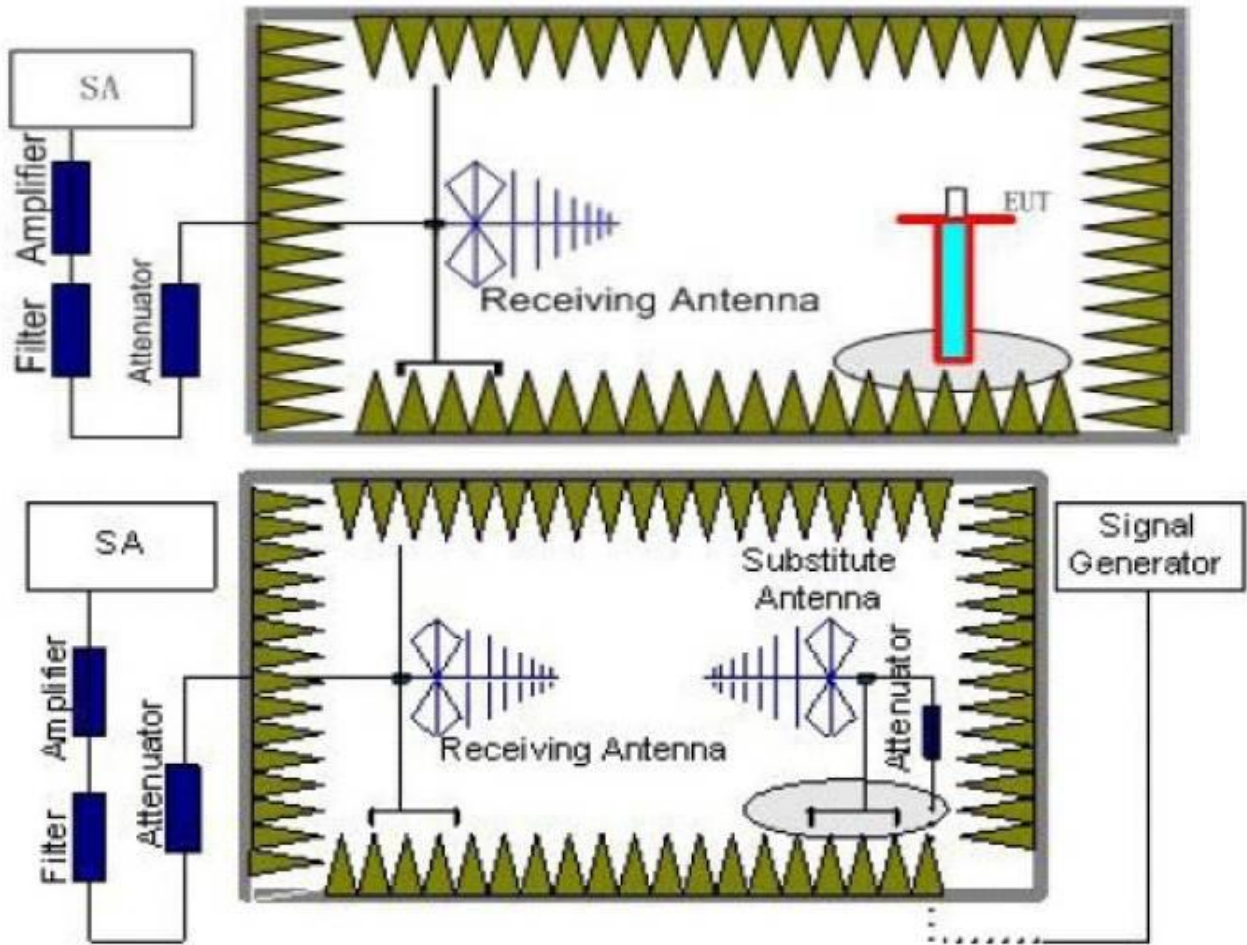
If the equipment can operate with different Nominal Channel Bandwidths (e.g. 20 MHz and 40 MHz), then the equipment shall be configured to operate under its worst case situation with respect to spurious emissions.

Test Procedure

According to ETSI EN 300 328 V2.2.2 (2019-07) §5.4.9.2.2, Radiated measurement.

Test Configuration

Effective Radiated Power measurement (30 MHz to 12.75 GHz)



Test Results



Fre. (MHz)	ANT. Pol.	Result (dBm)	Limit (dBm)	Margin (dB)	Conclusion
Below 1GHz:					
633.19	V	-59.14	-54	5.14	PASS
636.97	H	-59.07	-54	5.07	PASS
Above 1GHz:					
Test Mode: Low Channel					
4804	H	-41.69	-30	11.69	PASS
4804	V	-40.67	-30	10.67	PASS
7206	H	-41.90	-30	11.90	PASS
7206	V	-45.57	-30	15.57	PASS
9608	H	-48.51	-30	18.51	PASS
9608	V	-45.87	-30	15.87	PASS
Test Mode: High Channel					
4960	H	-42.85	-30	12.85	PASS
4960	V	-40.90	-30	10.90	PASS
7440	H	-45.90	-30	15.90	PASS
7440	V	-44.03	-30	14.03	PASS
9920	H	-45.85	-30	15.85	PASS
9920	V	-44.79	-30	14.79	PASS
Note:					
1. Cable loss and antenna gain was combined in the calculated result.					
2. No record for margin above 20dB.					

4.1.10. Receiver spurious emissions

LIMIT

According to ETSI EN 300 328 V2.2.2 (2019-07) §4.3.2.11.3

The spurious emissions of the receiver shall not exceed the values given in table 5.

Table 2: spurious emission limits for receivers

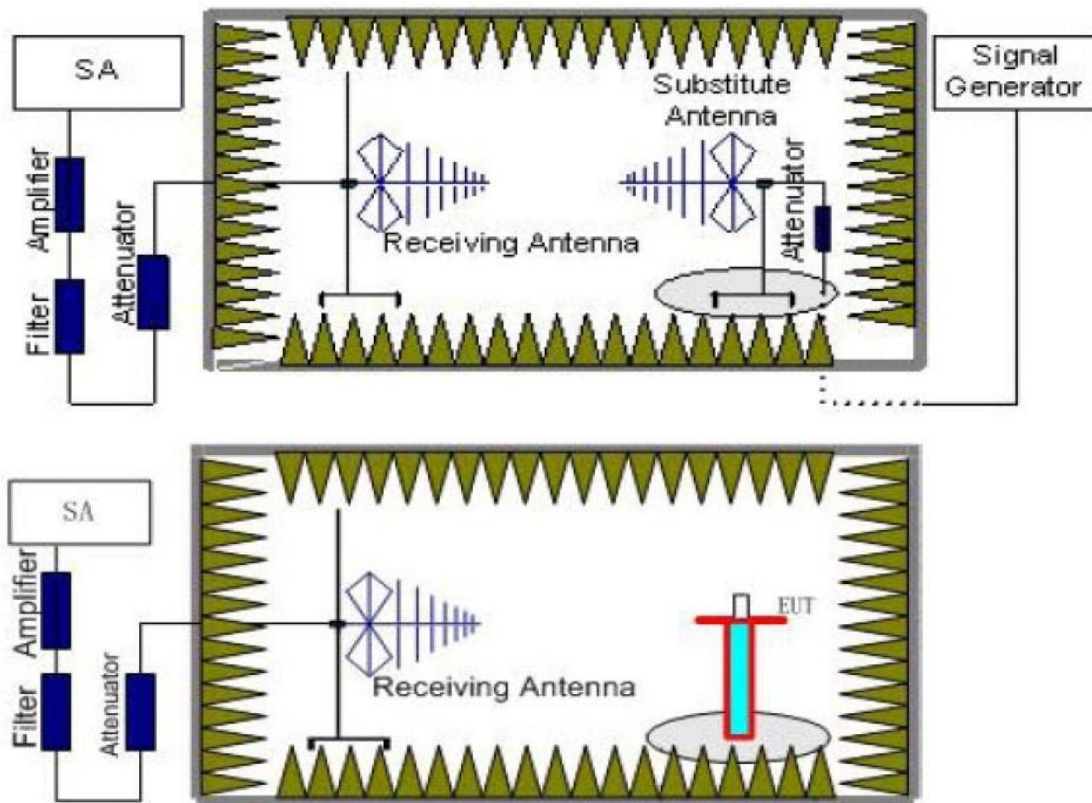
Frequency	Maximum power, e.r.p.	Measurement bandwidth
30 MHz to 1 GHz	-57 dBm	100 KHz
30 MHz to 12.75 GHz	-47 dBm	1 MHz

Test Procedure

The same as clause 4.1.8

Test Configuration

Effective Radiated Power measurement (30 MHz to 12.75 GHz)



The level of spurious emissions shall be measured as, either:

a) their power in a specified load (conducted spurious emissions) and their effective radiated power when radiated by the cabinet or structure of the equipment (cabinet radiation); or

b) their effective radiated power when radiated by cabinet and antenna in case of Integral antenna equipment withno temporary antenna connectors.

Testing shall be performed when the equipment is in a receive-only mode.

For equipment using wide band modulations other than FHSS, the measurement shall be performed at the lowest and the highest channel on which the equipment can operate. These frequencies shall be recorded.

For equipment using FHSS modulation, the measurements may be performed when normal hopping is disabled. In this case measurements need to be performed when operating at the lowest and the highest hopping frequency. These frequencies shall be recorded. When disabling the normal hopping is not possible, the measurement shall be performed during normal operation (hopping).

**Test Results**

Fre. (MHz)	ANT. Pol.	Result (dBm)	Limit (dBm)	Margin (dB)	Conclusion
Below 1GHz:					
161.80	V	-67.99	-57	10.99	PASS
683.99	H	-65.91	-57	8.91	PASS
Above 1GHz:					
Test Mode: Lowest frequency					
1201.09	H	-58.92	-47	11.92	PASS
1201.09	V	-57.14	-47	10.14	PASS
2797.36	H	-55.82	-47	8.82	PASS
2797.36	V	-56.31	-47	9.31	PASS
Test Mode: Highest frequency					
1023.85	H	-59.44	-47	12.44	PASS
1023.85	V	-59.47	-47	12.47	PASS
2589.42	H	-57.76	-47	10.76	PASS
2589.42	V	-56.69	-47	9.69	PASS
Note: 1. Cable loss and antenna gain was combined in the calculated result. 2. No record for margin above 20dB.					

4.1.11. Receiver Blocking

LIMIT

According to ETSI EN 300 328 V2.2.2 (2019-07) §4.3.2.11.4

While maintaining the minimum performance criteria as defined in clause 4.3.2.11.3, the blocking levels at specified frequency offsets shall be equal to or greater than the limits defined for the applicable receiver category provided in table 14, table 15 or table 16.

The minimum performance criterion shall be a PER less than or equal to 10 %. The manufacturer may declare alternative performance criteria as long as that is appropriate for the intended use of the equipment.

Table 14: Receiver Blocking parameters for Receiver Category 1 equipment

Wanted signal mean power from companion device (dBm) (see notes 1 and 4)	Blocking signal frequency (MHz)	Blocking signal power (dBm) (see note 4)	Type of blocking signal
$(-133 \text{ dBm} + 10 \times \log_{10}(\text{OCBW}))$ or -68 dBm whichever is less (see note 2)	2 380 2 504	-34	CW
$(-139 \text{ dBm} + 10 \times \log_{10}(\text{OCBW}))$ or -74 dBm whichever is less (see note 3)	2 300 2 330 2 360 2 524 2 584 2 674		
NOTE 1: OCBW is in Hz. NOTE 2: In case of radiated measurements using a companion device and the level of the wanted signal from the companion device cannot be determined, a relative test may be performed using a wanted signal up to $P_{\min} + 26 \text{ dB}$ where P_{\min} is the minimum level of wanted signal required to meet the minimum performance criteria as defined in clause 4.3.1.12.3 in the absence of any blocking signal. NOTE 3: In case of radiated measurements using a companion device and the level of the wanted signal from the companion device cannot be determined, a relative test may be performed using a wanted signal up to $P_{\min} + 20 \text{ dB}$ where P_{\min} is the minimum level of wanted signal required to meet the minimum performance criteria as defined in clause 4.3.1.12.3 in the absence of any blocking signal. NOTE 4: The level specified is the level at the UUT receiver input assuming a 0 dBi antenna assembly gain. In case of conducted measurements, this level has to be corrected for the (in-band) antenna assembly gain (G). In case of radiated measurements, this level is equivalent to a power flux density (PFD) in front of the UUT antenna with the UUT being configured/positioned as recorded in clause 5.4.3.2.2.			

Table 15: Receiver Blocking parameters receiver Category 2 equipment

Wanted signal mean power from companion device (dBm) (see notes 1 and 3)	Blocking signal frequency (MHz)	Blocking signal power (dBm) (see note 3)	Type of blocking signal
$(-139 \text{ dBm} + 10 \times \log_{10}(\text{OCBW}) + 10 \text{ dB})$ or $(-74 \text{ dBm} + 10 \text{ dB})$ whichever is less (see note 2)	2 380 2 504 2 300 2 584	-34	CW
NOTE 1: OCBW is in Hz. NOTE 2: In case of radiated measurements using a companion device and the level of the wanted signal from the companion device cannot be determined, a relative test may be performed using a wanted signal up to $P_{\min} + 26 \text{ dB}$ where P_{\min} is the minimum level of wanted signal required to meet the minimum performance criteria as defined in clause 4.3.1.12.3 in the absence of any blocking signal. NOTE 3: The level specified is the level at the UUT receiver input assuming a 0 dBi antenna assembly gain. In case of conducted measurements, this level has to be corrected for the (in-band) antenna assembly gain (G). In case of radiated measurements, this level is equivalent to a power flux density (PFD) in front of the UUT antenna with the UUT being configured/positioned as recorded in clause 5.4.3.2.2.			

Table 16: Receiver Blocking parameters receiver Category 3 equipment

Wanted signal mean power from companion device (dBm) (see notes 1 and 3)	Blocking signal frequency (MHz)	Blocking signal power (dBm) (see note 3)	Type of blocking signal
(-139 dBm + 10 × log ₁₀ (OCBW) + 20 dB) or (-74 dBm + 20 dB) whichever is less (see note 2)	2 380 2 504 2 300 2 584	-34	CW
<p>NOTE 1: OCBW is in Hz.</p> <p>NOTE 2: In case of radiated measurements using a companion device and the level of the wanted signal from the companion device cannot be determined, a relative test may be performed using a wanted signal up to $P_{min} + 30$ dB where P_{min} is the minimum level of wanted signal required to meet the minimum performance criteria as defined in clause 4.3.1.12.3 in the absence of any blocking signal.</p> <p>NOTE 3: The level specified is the level at the UUT receiver input assuming a 0 dBi antenna assembly gain. In case of conducted measurements, this level has to be corrected for the (in-band) antenna assembly gain (G). In case of radiated measurements, this level is equivalent to a power flux density (PFD) in front of the UUT antenna with the UUT being configured/positioned as recorded in clause 5.4.3.2.2.</p>			

According to ETSI EN 300 328 V2.2.2 (2019-07) § 4.2.3 Receiver categories

4.2.3.2.1 Receiver category 1

Adaptive equipment with a maximum RF output power greater than 10 dBm e.i.r.p. shall be considered as receiver category 1 equipment.

4.2.3.2.2 Receiver category 2

Non-adaptive equipment with a Medium Utilization (MU) factor greater than 1 % and less than or equal to 10 % or adaptive equipment with a maximum RF output power of 10 dBm e.i.r.p. shall be considered as receiver category 2 equipment.

4.2.3.2.3 Receiver category 3

Non-adaptive equipment with a maximum Medium Utilization (MU) factor of 1 % or adaptive equipment with a maximum RF output power of 0 dBm e.i.r.p. shall be considered as receiver category 3 equipment.

These measurements shall only be performed at normal test conditions.

For non-frequency hopping equipment, having more than one operating channel, the equipment shall be tested operating at both the lowest and highest operating channels. Equipment which can change their operating channel automatically (adaptive channel allocation), and where this function cannot be disabled, shall be tested as a frequency hopping equipment.

If the equipment can be configured to operate with different Nominal Channel Bandwidths (e.g. 20 MHz and 40 MHz) and different data rates, then the combination of the smallest channel bandwidth and the lowest data rate for this channel bandwidth which still allows the equipment to operate as intended shall be used. This mode of operation shall be aligned with the performance criteria defined in clause 4.3.1.12.3 or clause 4.3.2.11.3 as declared by the manufacturer (see clause 5.4.1 t)) and shall be described in the test report. It shall be verified that this performance criteria as declared by the manufacturer is achieved.

TEST CONFIGURATION

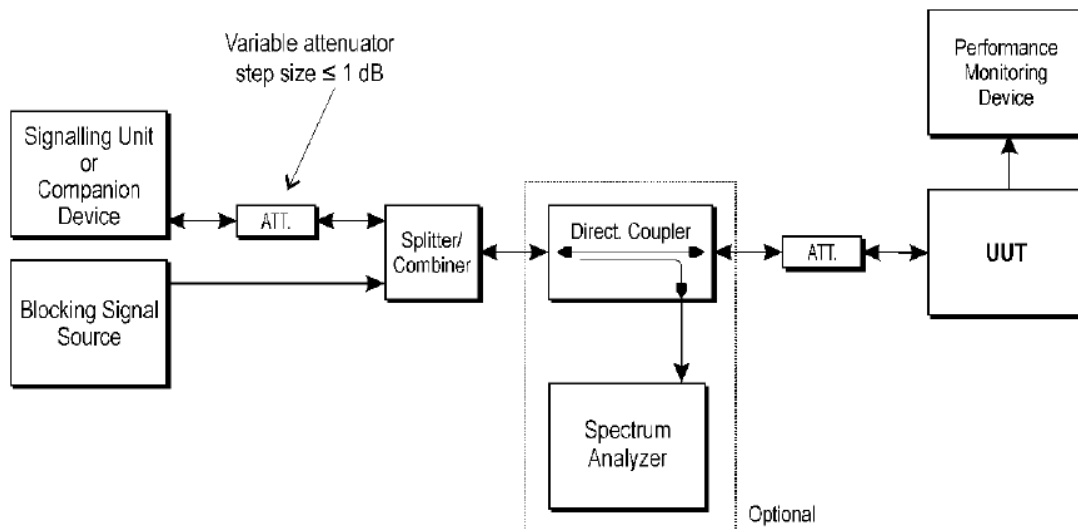


Figure 6: Test Set-up for receiver blocking

MEASUREMENT DESCRIPTION

According to ETSI EN 300 328 V2.2.2 (2019-07) §5.4.11.2.1, Conducted measurements

Step 1:

- For non-frequency hopping equipment, the UUT shall be set to the lowest operating channel.

Step 2:

- The blocking signal generator is set to the first frequency as defined in the appropriate table corresponding to the receiver category and type of equipment.

Step 3:

- With the blocking signal generator switched off, a communication link is established between the UUT and the associated companion device using the test setup shown in figure 6. The attenuation of the variable attenuator shall be increased in 1 dB steps to a value at which the minimum performance criteria as specified in clause 4.3.1.12.3 or clause 4.3.2.11.3 is still met. The resulting level for the wanted signal at the input of the UUT is P_{min} .
- This signal level (P_{min}) is increased by the value provided in the table corresponding to the receiver category and type of equipment.

Step 4:

- The blocking signal at the UUT is set to the level provided in the table corresponding to the receiver category and type of equipment. It shall be verified and recorded in the test report that the performance criteria as specified in clause 4.3.1.12.3 or clause 4.3.2.11.3 is met.

Step 5:

- Repeat step 4 for each remaining combination of frequency and level for the blocking signal as provided in the table corresponding to the receiver category and type of equipment.

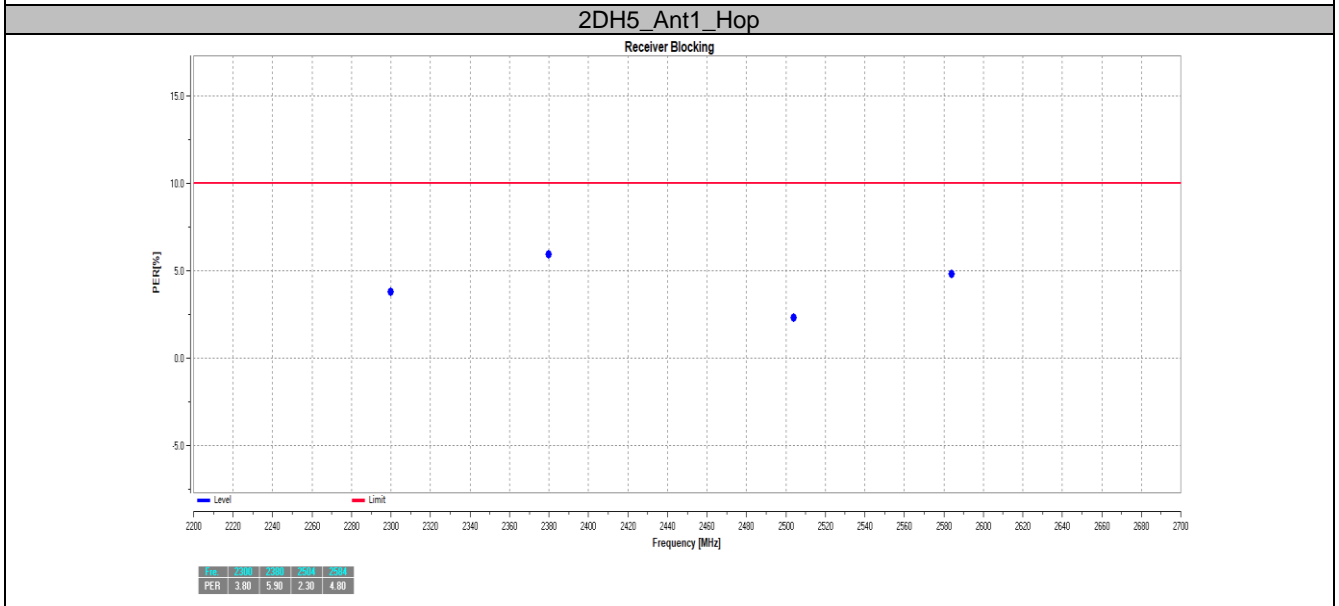
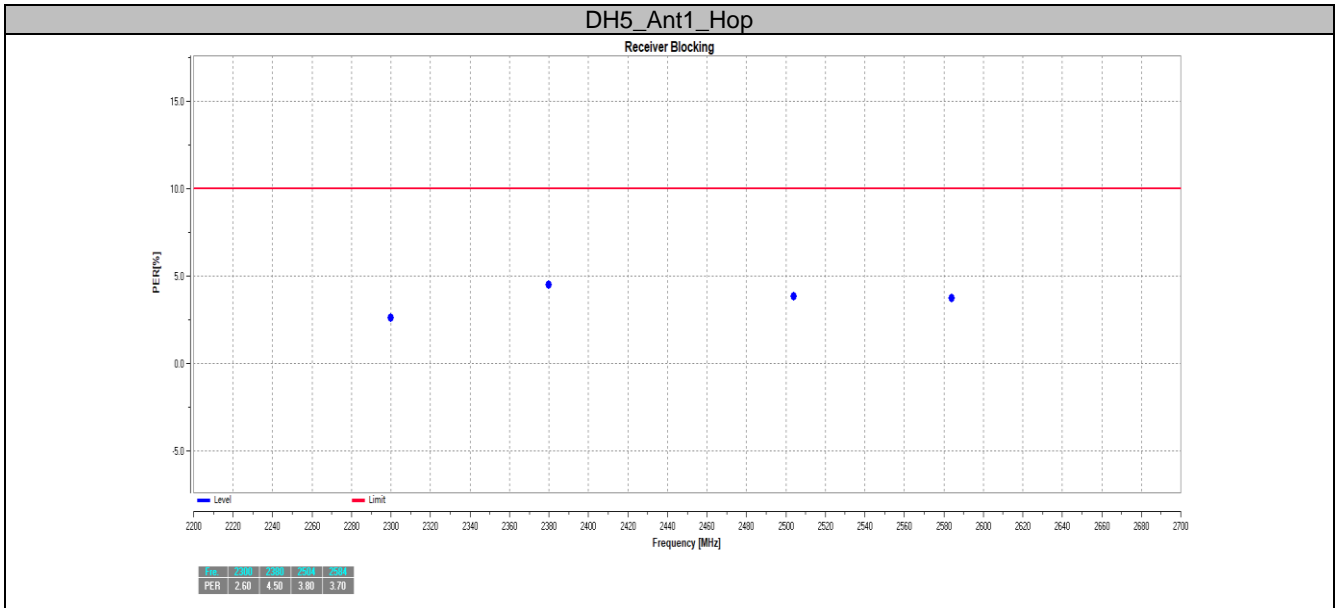
Step 6:

- For non-frequency hopping equipment, repeat step 2 to step 5 with the UUT operating at the highest operating channel.



TEST RESULTS

TestMode	Antenna	Channel	Pmin [dBm]	Wanted signal [dBm]	Freq. [MHz]	CW [dBm]	PER [%]	Limit [%]	Verdict
DH5	Ant1	Hop	---	-59.58	2300	-34	2.60	≤10	PASS
			---	-59.58	2380	-34	4.50	≤10	PASS
			---	-59.58	2504	-34	3.80	≤10	PASS
			---	-59.58	2584	-34	3.70	≤10	PASS
2DH5	Ant1	Hop	---	-58.24	2300	-34	3.80	≤10	PASS
			---	-58.24	2380	-34	5.90	≤10	PASS
			---	-58.24	2504	-34	2.30	≤10	PASS
			---	-58.24	2584	-34	4.80	≤10	PASS





4.1.12. Geo-location capability

Definition& Requirements

ETSI EN 300 328 (V2.2.2) Sub-clause 4.3.2.13.2 Definition

Geo-location capability is a feature of the equipment to determine its geographical location with the purpose to configure itself according to the regulatory requirements applicable at the geographical location where it operates.

The geo-location capability may be present in the equipment or in an external device (temporary) associated with the equipment operating at the same geographical location during the initial power up of the equipment. The geographical location may also be available in equipment already installed and operating at the same geographical location.

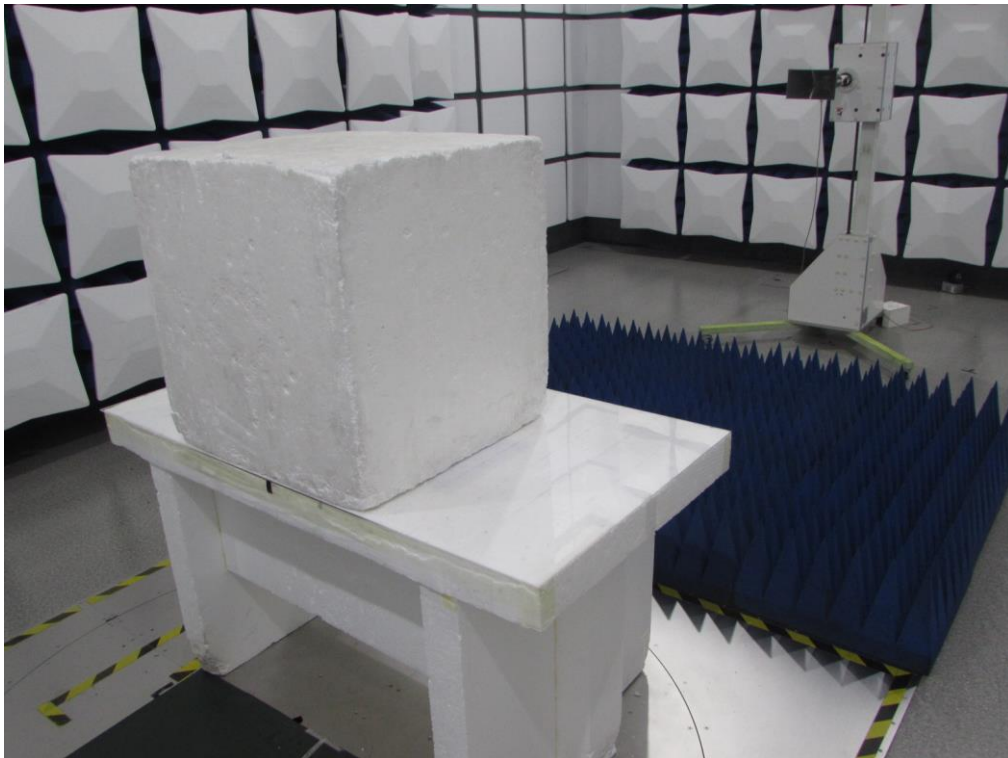
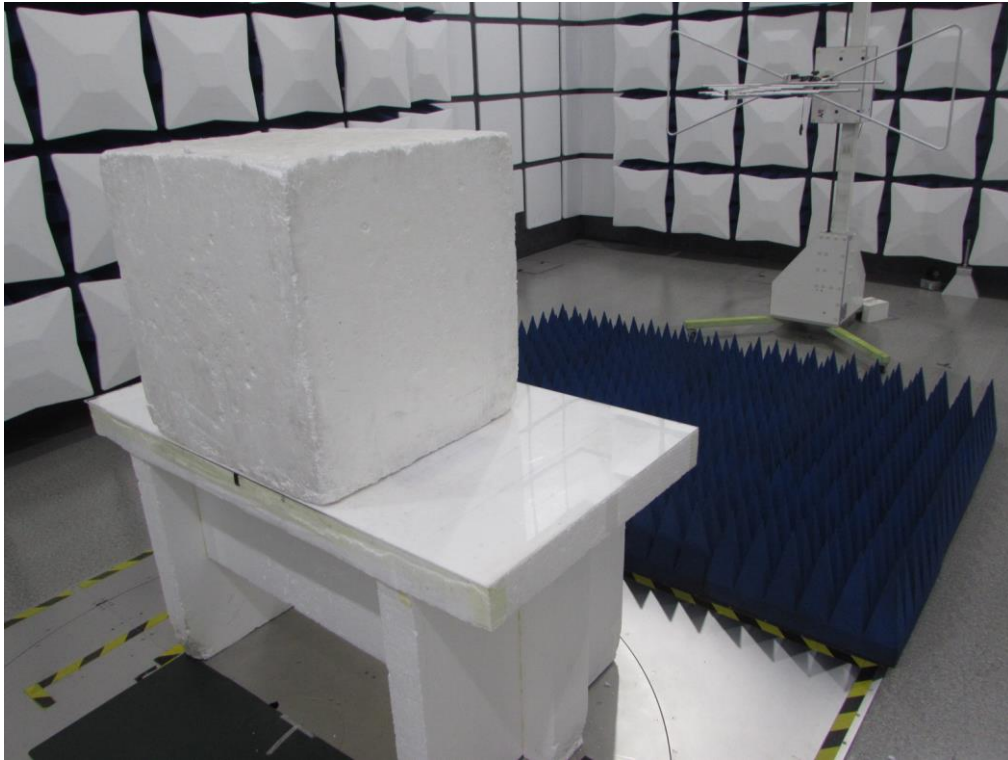
ETSI EN 300 328 (V2.2.2) Sub-clause 4.3.2.13.2 Requirements

The geographical location determined by the FHSS equipment as defined in clause 4.3.1.13.2 shall not be accessible to the user in a way that would allow the user to alter it.

RESULTS

This equipment does not support Geo-location.

5. Test Setup Photos of the EUT





6. External and Internal Photos of the EUT

Reference to the test report No. TZ231004983-RE

.....End of Report.....



EMF ASSESSMENT REPORT

EN 62479:2010
EN 50663:2017

Report Reference No......: **TZ231004983-EMF**

Compiled by

(position+printed name+signature)..: File administrators Nancy Li

Supervised by

(position+printed name+signature)..: Technique principal Hugo Chen

Approved by

(position+printed name+signature)..: Manager Andy Zhang

Date of issue.....: 2023/10/23



Testing Laboratory Name.....: Shenzhen Tongzhou Testing Co.,Ltd

Address.....: 1th Floor, Building 1, Haomai High-tech Park, Huating Road 387,
Dalang Street, Longhua, Shenzhen, China

Applicant's name.....: **Mid Ocean Brands B.V.**

Address.....: Wellensiekstraat 2, 6718 XZ Ede The Netherlands

Test specification

Standard

EN 62479:2010

EN 50663:2017

TRF Originator.....: Shenzhen Tongzhou Testing Co.,Ltd

Master TRF.....: Dated 2020-08

Shenzhen Tongzhou Testing Co.,Ltd All rights reserved.

This publication may be reproduced in whole or in part for non-commercial purposes as long as the Shenzhen Tongzhou Testing Co.,Ltd is acknowledged as copyright owner and source of the material. Shenzhen Tongzhou Testing Co.,Ltd takes no responsibility for and will not assume liability for damages resulting from the reader's interpretation of the reproduced material due to its placement and context.

Test item description

TWS earbuds

Trade Mark

N/A

Manufacturer

Model/Type reference.....: MO2176

Listed Models

N/A

Ratings.....: DC 3.7V by battery

USB Input: DC5V

Result.....: **PASS**



EMF ASSESSMENT REPORT

Test Report No. :	TZ231004983-EMF	2023/10/23
		Date of issue

Equipment under Test : TWS earbuds

Model /Type : MO2176

Listed Models : N/A

Applicant : Mid Ocean Brands B.V.

Address : Wellensiekstraat 2, 6718 XZ Ede The Netherlands

Manufacturer :

Address :

Test Result:	PASS
---------------------	-------------

The test report merely corresponds to the test sample.

It is not permitted to copy extracts of these test result without the written permission of the test laboratory.



Report No.: TZ231004983-EMF

**** Modified History ****

Revision	Description	Issued Data	Remark
Revision 1.0	Initial Test Report Release	2023/10/23	Andy Zhang



Contents

1.	<u>SUMMARY</u>	<u>5</u>
1.1.	EUT configuration	5
1.2.	NOTE	5
2.	<u>TEST ENVIRONMENT</u>	<u>6</u>
2.1.	Address of the test laboratory	6
2.2.	Environmental conditions	6
2.3.	Statement of the measurement uncertainty	6
3.	<u>METHOD OF MEASUREMENT</u>	<u>7</u>
3.1.	Applicable Standard	7
3.2.	Limit	7
4.	<u>TEST RESULT</u>	<u>7</u>



1. SUMMARY

1.1. EUT configuration

The following peripheral devices and interface cables were connected during the measurement:

● - supplied by the manufacturer

○ - supplied by the lab

<input type="radio"/>	Power Cable	Length (m) :	/
		Shield :	/
		Detachable :	/

1.2. NOTE

Function	Test Standards	Reference Report
Bluetooth	ETSI EN 300 328 V2.2.2 (2019-07)	TZ231004983-EDR
EMC	ETSI EN 301 489-1 V2.2.3 (2019-11) ETSI EN 301 489-17 V3.2.4 (2020-09) EN55032:2015+A11:2020 EN55035:2017+A11:2020 EN IEC 61000-3-2:2019 EN61000-3-3:2013+A1:2019	TZ231004983-RE
EMF	EN 62479:2010 EN 50663:2017	TZ231004983-EMF



2. TEST ENVIRONMENT

2.1. Address of the test laboratory

Shenzhen Tongzhou Testing Co.,Ltd
1th Floor, Building 1, Haomai High-tech Park, Huating Road 387, Dalang Street, Longhua, Shenzhen, China

The sites are constructed in conformance with the requirements of ANSI C63.7, ANSI C63.4 (2014) and CISPR Publication 22.

2.2. Environmental conditions

During the measurement the environmental conditions were within the listed ranges:

Temperature: 15-35 ° C

Humidity: 30-60 %

Atmospheric pressure: 950-1050mbar

2.3. Statement of the measurement uncertainty

The data and results referenced in this document are true and accurate. The reader is cautioned that there may be errors within the calibration limits of the equipment and facilities. The measurement uncertainty was calculated for all measurements listed in this test report acc. to TR-100028-01 "Electromagnetic compatibility and Radio spectrum Matters (ERM);Uncertainties in the measurement of mobile radio equipment characteristics; Part 1" and TR-100028-02 "Electromagnetic compatibility and Radio spectrum Matters (ERM);Uncertainties in the measurement of mobile radio equipment characteristics; Part 2 " and is documented in the Shenzhen Tongzhou Testing Co.,Ltd quality system acc. to DIN EN ISO/IEC 17025. Furthermore, component and process variability of devices similar to that tested may result in additional deviation. The manufacturer has the sole responsibility of continued compliance of the device.

Hereafter the best measurement capability for Shenzhen Tongzhou Testing Co.,Ltd is reported:

Test Items	Measurement Uncertainty	Notes
Transmitter power conducted	0.57 dB	(1)

- (1) This uncertainty represents an expanded uncertainty expressed at approximately the 95% confidence level using a coverage factor of k=2.



3. Method of measurement

3.1. Applicable Standard

EN 62479: Assessment of the compliance of low-power electronic and electrical equipment with the basic restrictions related to human exposure to electromagnetic fields (10 MHz to 300 GHz)

EN 50663: Generic standard for assessment of low power electronic and electrical equipment related to human exposure restrictions for electromagnetic fields (10 MHz - 300 GHz)

3.2. Limit

20mW (According to the table A.1)

Table A.1 – Example values of SAR-based P_{max} for some cases described by ICNIRP, IEEE Std C95.1-1999 and IEEE Std C95.1-2005

Guideline / Standard	SAR limit, SAR_{max} W/kg	Averaging mass, m g	P_{max} mW	Exposure tier ^a	Region of body ^a
ICNIRP [1]	2	10	20	General public	Head and trunk
	4	10	40	General public	Limbs
	10	10	100	Occupational	Head and trunk
	20	10	200	Occupational	Limbs
IEEE Std C95.1-1999 [2]	1,6	1	1,6	Uncontrolled environment	Head, trunk, arms, legs
	4	10	40	Uncontrolled environment	Hands, wrists, feet and ankles
	8	1	8	Controlled environment	Head, trunk, arms, legs
	20	10	200	Controlled environment	Hands, wrists, feet and ankles
IEEE Std C95.1-2005 [3]	2	10	20	Action level	Body except extremities and pinnae
	4	10	40	Action level	Extremities and pinnae
	10	10	100	Controlled environment	Body except extremities and pinnae
	20	10	200	Controlled environment	Extremities and pinnae

^a Consult the appropriate standard for more information and definitions of terms.

4. Test Result

Type	Maximum EIRP (dBm)	Maximum Output power (mW)	Limit (mW)	Results
Bluetooth	-5.66	0.27	20	PASS

.....End of Report.....