

RED-Radio Test Report

Client Name : Mid Ocean Brands B.V.
Address : 7/F., Kings Tower, 111 King Lam Street, Cheung Sha
Wan, Kowloon, Hong Kong
Product Name : Wireless Charger
Date : Apr. 14, 2022

Shenzhen Anbotek Compliance Laboratory Limited



Shenzhen Anbotek Compliance Laboratory Limited

Address: 1/F., Building D, Sogood Science and Technology Park, Sanwei Community,
Hangcheng Street, Bao'an District, Shenzhen, Guangdong, China.
Tel: (86) 755-26066440 Fax: (86) 755-26014772 Email: service@anbotek.com



Hotline
400-003-0500
www.anbotek.com

Contents

1. General Information.....	4
1.1. Client Information.....	4
1.2. Description of Device (EUT).....	4
1.3. Auxiliary Equipment Used During Test.....	5
1.4. Description of Test Modes.....	5
1.5. Test Conditions.....	5
1.6. Test Equipment List.....	6
1.7. Measurement Uncertainty.....	7
1.8. Description of Test Facility.....	7
2. Summary of Test Results.....	8
3. Permitted range of operating frequencies/ Operating frequency ranges.....	9
3.1. Limit.....	9
3.2. Test Setup.....	9
3.3. Test Procedure.....	9
3.4. Test Data.....	9
4. H-field requirements.....	11
4.1. Test Limit.....	11
4.2. Test Setup.....	11
4.3. Test Procedure.....	11
4.4. Test Data.....	11
5. Transmitter spurious emissions.....	13
5.1. Test Limit.....	13
5.2. Test Setup.....	13
5.3. Test Procedure.....	14
5.4. Test Data.....	15
6. Transmitter out of band (OOB) emissions.....	17
6.1. Test Limit.....	17
6.2. Test Setup.....	18
6.3. Test Procedure.....	19
6.4. Test Data.....	19
7. WPT system unwanted conducted emissions.....	20
7.1. Test Limit.....	20
7.2. Test Setup.....	20
7.3. Test Procedure.....	20
7.4. Test Data.....	20
8. Receiver blocking.....	21
8.1. Test Limit.....	21
8.2. Test Setup.....	21
8.3. Test Procedure.....	22
8.4. Test Data.....	22
APPENDIX I -- TEST SETUP PHOTOGRAPH.....	23

TEST REPORT

Applicant : Mid Ocean Brands B.V.
Manufacturer : Mid Ocean Brands B.V.
Product Name : Wireless Charger
Model No. : MO9652
Trade Mark : N.A.
Rating(s) : Input: DC 5V/2A
Wireless output: 5W

Test Standard(s) : ETSI EN 303 417 V1.1.1 (2017-09)

The device described above is tested by Shenzhen Anbotek Compliance Laboratory Limited to determine the maximum emission levels emanating from the device and the severe levels of the device can endure and its performance criterion. The measurement results are contained in this test report and Shenzhen Anbotek Compliance Laboratory Limited is assumed full of responsibility for the accuracy and completeness of these measurements. Also, this report shows that the EUT (Equipment Under Test) is technically compliant with the ETSI EN 303 417 V1.1.1 requirements.

This report applies to above tested sample only and shall not be reproduced in part without written approval of Shenzhen Anbotek Compliance Laboratory Limited.

Date of Receipt

Apr. 01, 2022

Date of Test

Apr. 01~13, 2022

Prepared By



(TuTu Hong)

Approved & Authorized Signer



(Kingkong Jin)

Shenzhen Anbotek Compliance Laboratory Limited

1. General Information

1.1. Client Information

Applicant	:	Mid Ocean Brands B.V.
Address	:	7/F., Kings Tower, 111 King Lam Street, Cheung Sha Wan, Kowloon, Hong Kong
Manufacturer	:	Mid Ocean Brands B.V.
Address	:	7/F., Kings Tower, 111 King Lam Street, Cheung Sha Wan, Kowloon, Hong Kong
Factory	:	Mid Ocean Brands B.V.
Address	:	7/F., Kings Tower, 111 King Lam Street, Cheung Sha Wan, Kowloon, Hong Kong

1.2. Description of Device (EUT)

Product Name	:	Wireless Charger	
Model No.	:	MO9652	
Trade Mark	:	N.A.	
Test Power Supply	:	AC 230V, 50Hz for Adapter	
Test Sample No.	:	1-2-1(Normal Sample), 1-2-2(Engineering Sample)	
Product Description	:	Operation Frequency:	110.1-205kHz
		Modulation Type:	FSK
		Antenna Type:	Inductive loop coil Antenna
		Antenna Gain(Peak):	0 dBi(Provided by customer)
		Adapter:	N/A
Remark: 1) For a more detailed features description, please refer to the manufacturer's specifications or the User's Manual.			

1.3. Auxiliary Equipment Used During Test

Adapter	:	Model: MDY-11-EX Input: 100-240V~50/60Hz, 07A Output: 5V=3A/ 9V=3A/ 12V=2.25A/ 20V=1.35A/ 11V=3A Max
Wireless charging load	:	Manufacturer: Shenzhen Ouju Technology Co., Ltd. M/N: CD2577 Power: 5W/7.5W/10W/15W Last Cal.: Oct. 26, 2021 Cal. Interval: 1 Year

1.4. Description of Test Modes

Pre-Scan has been conducted to determine the worst-case mode from all possible combinations between available modulations, data rates and antenna ports (if EUT with antenna diversity architecture).

Following channel(s) was (were) selected for the final test as listed below:

Test Items	Test Mode
Permitted range of operating frequencies	TX
Operating frequency ranges	TX
H-field requirements	TX
Transmitter spurious emissions	TX
Transmitter out of band (OOB) emissions	TX
Receiver blocking	RX

1.5. Test Conditions

	Normal Test Conditions	Extreme Test Conditions
Temperature	15°C - 20°C	-10°C ~ 40°C Note: (1)
Relative Humidity	20% - 75%	N/A
Supply Voltage	AC 230V, 50Hz for Adapter	N/A
Note: (1) The HT 40°C and LT -10°C was declared by manufacturer.		

1.6. Test Equipment List

Item	Equipment	Manufacturer	Model No.	Serial No.	Last Cal.	Cal. Interval
1.	Three Phase V-type Artificial Power Network	CYBERTEK	EM5040DT	E215040DT001	Jul 05, 2021	1 Year
2.	EMI Test Receiver	Rohde & Schwarz	ESCI	100627	Oct. 22, 2021	1 Year
3.	EMI Test Receiver	Rohde & Schwarz	ESR26	101481	Oct. 22, 2021	1 Year
4.	RF Switching Unit	Compliance Direction	RSU-M2	38303	Oct. 22, 2021	1 Year
5.	MAX Spectrum Analysis	Agilent	N9020A	MY51170037	Oct. 22, 2021	1 Year
6.	Preamplifier	SKET Electronic	BK1G18G30D	KD17503	Oct. 22, 2021	1 Year
7.	Double Ridged Horn Antenna	Instruments corporation	GTH-0118	351600	Oct. 22, 2021	2 Year
8.	Bilog Broadband Antenna	Schwarzbeck	VULB9163	VULB 9163-289	Oct. 22, 2021	2 Year
9.	Loop Antenna	Schwarzbeck	FMZB1519B	00053	Oct. 22, 2021	2 Year
10.	Horn Antenna	A-INFO	LB-180400-KF	J211060628	Oct. 22, 2021	2 Year
11.	Pre-amplifier	SONOMA	310N	186860	Oct. 22, 2021	1 Year
12.	EMI Test Software EZ-EMC	SHURPLE	N/A	N/A	N/A	N/A
13.	RF Test Control System	YIHENG	YH3000	2017430	Oct. 22, 2021	1 Year
14.	Power Sensor	DAER	RPR3006W	15I00041SN045	Oct. 22, 2021	1 Year
15.	Power Sensor	DAER	RPR3006W	15I00041SN046	Oct. 22, 2021	1 Year
16.	MXA Spectrum Analysis	KEYSIGHT	N9020A	MY53280032	Oct. 22, 2021	1 Year
17.	MXG RF Vector Signal Generator	Agilent	N5182A	MY48180656	Oct. 22, 2021	1 Year
18.	Signal Generator	Agilent	E4421B	MY41000743	Oct. 22, 2021	1 Year
19.	DC Power Supply	IVYTECH	IV3605	1804D360510	Oct. 22, 2021	1 Year
20.	Constant Temperature Humidity Chamber	ZHONGJIAN	ZJ-KHWS80B	N/A	Oct. 22, 2021	1 Year

1.7. Measurement Uncertainty

For the test methods, according to ETSI EN 303 417 standard, the measurement uncertainty figures shall be calculated in accordance with ETR 100 028-1 [4] and shall correspond to an expansion factor (coverage factor) $k = 1,96$ or $k = 2$ (which provide confidence levels of respectively 95 % and 95,45 % in the case where the distributions characterizing the actual measurement uncertainties are normal (Gaussian)).

Maximum measurement uncertainty

Parameter	Uncertainty
Occupied Channel Bandwidth	±5 %
RF output power, conducted	±1,5 dB
Power Spectral Density, conducted	±3 dB
Unwanted Emissions, conducted	±3 dB
All emissions, radiated	±6 dB
Temperature	±1 °C
Humidity	±5 %
DC and low frequency voltages	±3 %
Time	±5 %
Duty Cycle	±5 %

1.8. Description of Test Facility

The test facility is recognized, certified, or accredited by the following organizations:

FCC-Registration No.: 184111

Shenzhen Anbotek Compliance Laboratory Limited, EMC Laboratory has been registered and fully described in a report filed with the (FCC) Federal Communications Commission. The acceptance letter from the FCC is maintained in our files. Registration No. 184111.

ISED-Registration No.: 8058A

Shenzhen Anbotek Compliance Laboratory Limited, EMC Laboratory has been registered and fully described in a report filed with the (ISED) Innovation, Science and Economic Development Canada. The acceptance letter from the ISED is maintained in our files. Registration 8058A.

Test Location

Shenzhen Anbotek Compliance Laboratory Limited.

1/F, Building D, Sogood Science and Technology Park, Sanwei community, Hangcheng Street, Bao'an District, Shenzhen, Guangdong, China.518128

Shenzhen Anbotek Compliance Laboratory Limited

2. Summary of Test Results

List of Measurements			
No	Test Items	Clause No.	Results
1	Permitted range of operating frequencies	4.3.2	PASS
2	Operating frequency ranges	4.3.3	PASS
3	H-field requirements	4.3.4	PASS
4	Transmitter spurious emissions	4.3.5	PASS
5	Transmitter out of band (OOB) emissions	4.3.6	PASS
6	WPT system unwanted conducted emissions	4.3.7	N/A
7	Receiver blocking	4.4.2	PASS

Note: N/A is an abbreviation for Not Applicable and means this test item is not applicable for this device according to the technology characteristic of device.

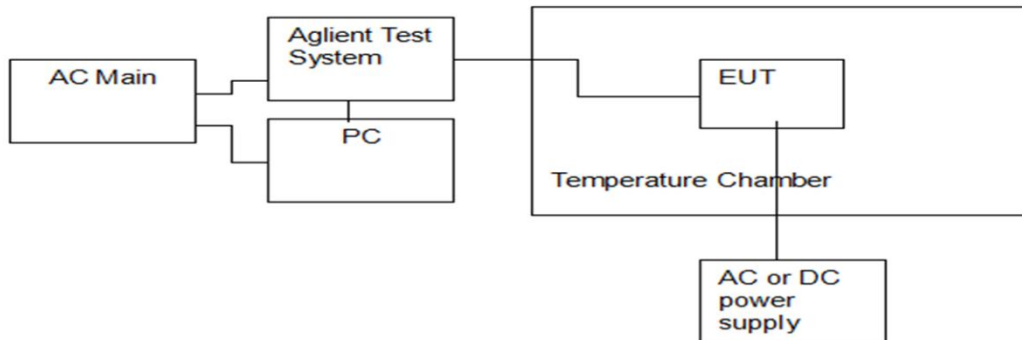
3. Permitted range of operating frequencies/ Operating frequency ranges

3.1. Limit

The permitted range of operating frequency range(s) for intentional emissions shall be within 19 - 21 kHz, 59 - 61 kHz, 79 - 90 kHz, 100 - 300 kHz, 6765 - 6 795 kHz, see Table below

	WPT frequency range	Frequency Bands	Applications
Transmit and Receive	1	19 kHz to 21 kHz	WPT systems
Transmit and Receive	2	59 kHz to 61 kHz	WPT systems
Transmit and Receive	3	79 kHz to 90 kHz	WPT systems
Transmit and Receive	4	100 kHz to 119 kHz	WPT systems
Transmit and Receive		119 kHz to 140 kHz	WPT systems
Transmit and Receive		140 kHz to 148,5 kHz	WPT systems
Transmit and Receive		148,5 kHz to 300 kHz	WPT systems
Transmit and Receive	5	6 765 kHz to 6 795 kHz	WPT systems

3.2. Test Setup



3.3. Test Procedure

Refer to chapter 4.3.2 & 4.3.3 of EN 303 417 V1.1.1.

3.4. Test Data

Please to see the following pages

Test Result: **PASS**

Temperature:	See below	Relative Humidity:	53%
Pressure:	1012 hPa	Test Voltage:	AC 230V, 50Hz for Adapter

Test Condition			Frequency (KHz)	
			Lowest	Highest
Tnom (°C)	+15	Vnom (230V)	109.83	205.32
Tmin (°C)	-10	Vmin (207V)	110.01	205.32
		Vmax (253V)	109.94	205.30
Tmax (°C)	+25	Vmin (207V)	109.86	205.28
		Vmax (253V)	109.76	205.22
Measured frequencies (lowest and highest)			FL = > 100KHz	FH = <300KHz

Shenzhen Anbotek Compliance Laboratory Limited

Address: 1/F., Building D, Sogood Science and Technology Park, Sanwei Community, Hangcheng Street, Bao'an District, Shenzhen, Guangdong, China.

Tel: (86) 755-26066440 Fax: (86) 755-26014772 Email: service@anbotek.com



Hotline
400-003-0500
www.anbotek.com

4. H-field requirements

4.1. Test Limit

The H-field limits are provided in Table below.

They have been specified for control of any radiated emissions within the OFR originating from the WPT system

(Power transmission and accompanying data communication).

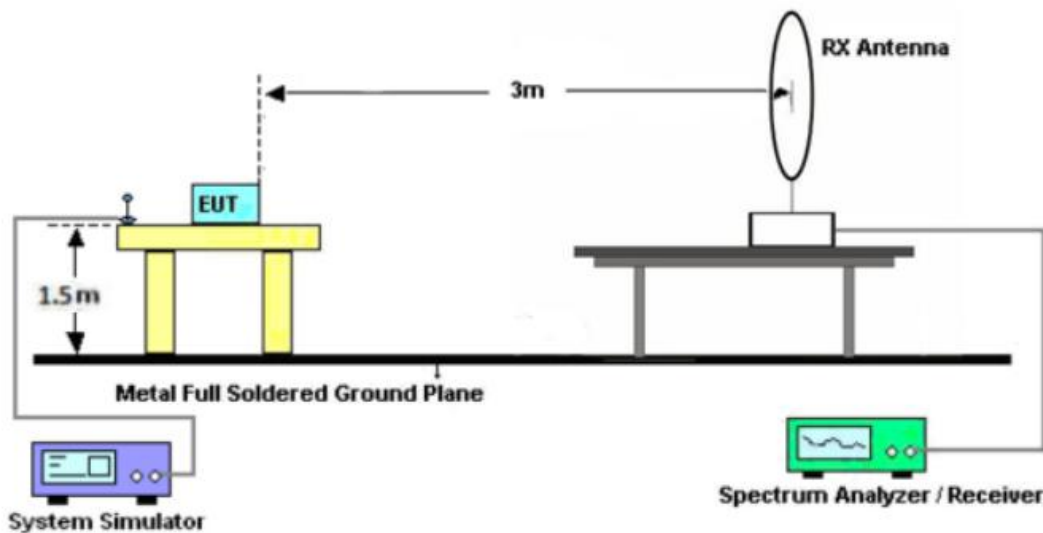
H-field limits

Frequency range [MHz]	H-field strength limit [dB μ A/m at 10 m]	Comments
$0,019 \leq f < 0,021$	72	
$0,059 \leq f < 0,061$	69,1 descending 10 dB/dec above 0,059 MHz	See note 1
$0,079 \leq f < 0,090$	67,8 descending 10 dB/dec above 0,079 MHz	See note 2
$0,100 \leq f < 0,119$	42	
$0,119 \leq f < 0,135$	66 descending 10 dB/dec above 0,119 MHz	See note 1
$0,135 \leq f < 0,140$	42	
$0,140 \leq f < 0,1485$	37,7	
$0,1485 \leq f < 0,30$	-5	
$6,765 \leq f < 6,795$	42	

NOTE 1: Limit is 42 dB μ A/m for the following spot frequencies: 60 kHz \pm 250 Hz and 129,1 kHz \pm 500 Hz.

NOTE 2: At the time of preparation of the present document the feasibility of increased limits for high power wireless power transmission systems to charge vehicles [i.4] was prepared. New specific requirements for such systems (e.g. higher H-field emission limits in the 79 - 90 kHz band) will be reflected within a future revision of the present document.

4.2. Test Setup



4.3. Test Procedure

Refer to chapter 4.3.4 of EN 303 417 V1.1.1.

The conformance test suite for H-field requirements shall be as defined in clause 6.2.1.

4.4. Test Data

Test Result: PASS

Shenzhen Anbotek Compliance Laboratory Limited

Address: 1/F., Building D, Sogood Science and Technology Park, Sanwei Community, Hangcheng Street, Bao'an District, Shenzhen, Guangdong, China.

Tel: (86) 755-26066440 Fax: (86) 755-26014772 Email: service@anbotek.com

Hotline
400-003-0500
www.anbotek.com

Test conditions	Frequency (KHz)	H-field@3m (db μ A)	Conversion Factor (dB)	H-field@10m (db μ A)	Limit@10m (dB μ A)	Result
NTNV	113.00	21.42	31.3	-10.03	42.00	Pass
	138.00	21.40	31.3	-9.90	42.00	Pass
	146.00	23.05	31.3	-9.09	37.70	Pass
	182.00	22.40	31.3	-9.12	-5.00	Pass
LTLV	113.00	21.35	31.3	-9.98	42.00	Pass
	138.00	21.48	31.3	-9.14	42.00	Pass
	146.00	21.42	31.3	-9.64	37.70	Pass
	182.00	21.40	31.3	-9.16	-5.00	Pass
LTHV	113.00	23.05	31.3	-8.32	42.00	Pass
	138.00	22.40	31.3	-8.49	42.00	Pass
	146.00	21.35	31.3	-10.28	37.70	Pass
	182.00	21.48	31.3	-9.79	-5.00	Pass
HTHV	113.00	21.42	31.3	-7.39	42.00	Pass
	138.00	21.40	31.3	-8.31	42.00	Pass
	146.00	23.05	31.3	-9.91	37.70	Pass
	182.00	22.40	31.3	-8.07	-5.00	Pass
HTLV	113.00	21.35	31.3	-9.89	42.00	Pass
	138.00	21.48	31.3	-8.30	42.00	Pass
	146.00	21.42	31.3	-10.22	37.70	Pass
	182.00	21.40	31.3	-9.74	-5.00	Pass

Remark:

1. According to EN 300 330, $H_{3m}=H_{10m}+C_3$, Where, C_3 is a Conversion factor in dB determined from figure H.2.
2. NTV: Normal Temperature Normal Voltage, LTLV: Low Temperature Low Voltage, LTHV: Low Temperature High Voltage, HTLV: High Temperature Low Voltage, HTHV: High Temperature High Voltage.
3. All the points have been test, only the worst case data was showed in the report.

5. Transmitter spurious emissions

5.1. Test Limit

The radiated field strength of spurious emissions below 30 MHz shall not exceed the generated H-field given in Table below.

State (see note)	Frequency $9 \text{ kHz} \leq f < 10 \text{ MHz}$	Frequency $10 \text{ MHz} \leq f < 30 \text{ MHz}$
Operating	27 dB μ A/m at 9 kHz descending 10 dB/dec	-3,5 dB μ A/m
Standby	5,5 dB μ A/m at 9 kHz descending 10 dB/dec	-25 dB μ A/m

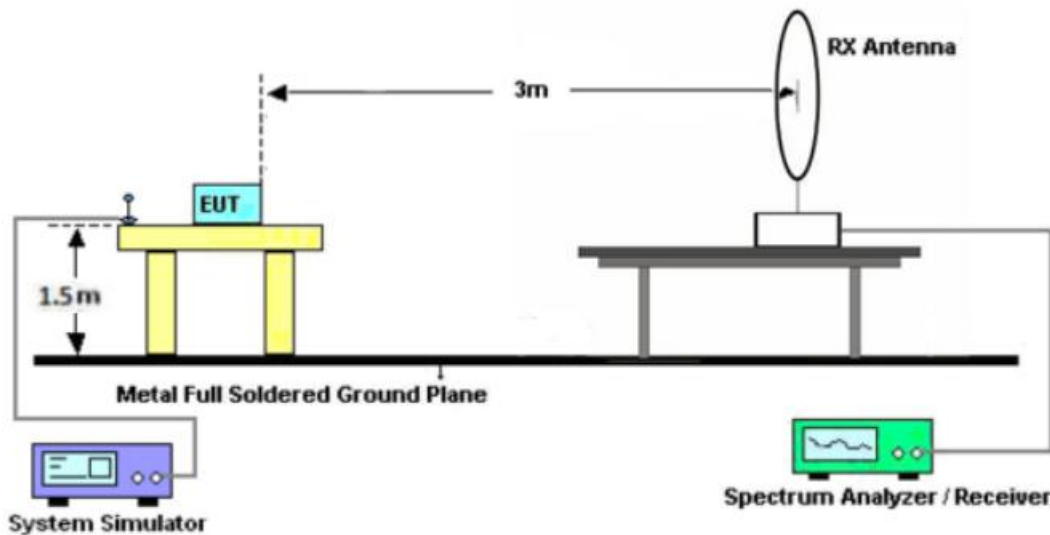
NOTE: "Operating" means mode 2, 3 and 4 according to Table 2; "standby" means mode 1 according to Table 2.

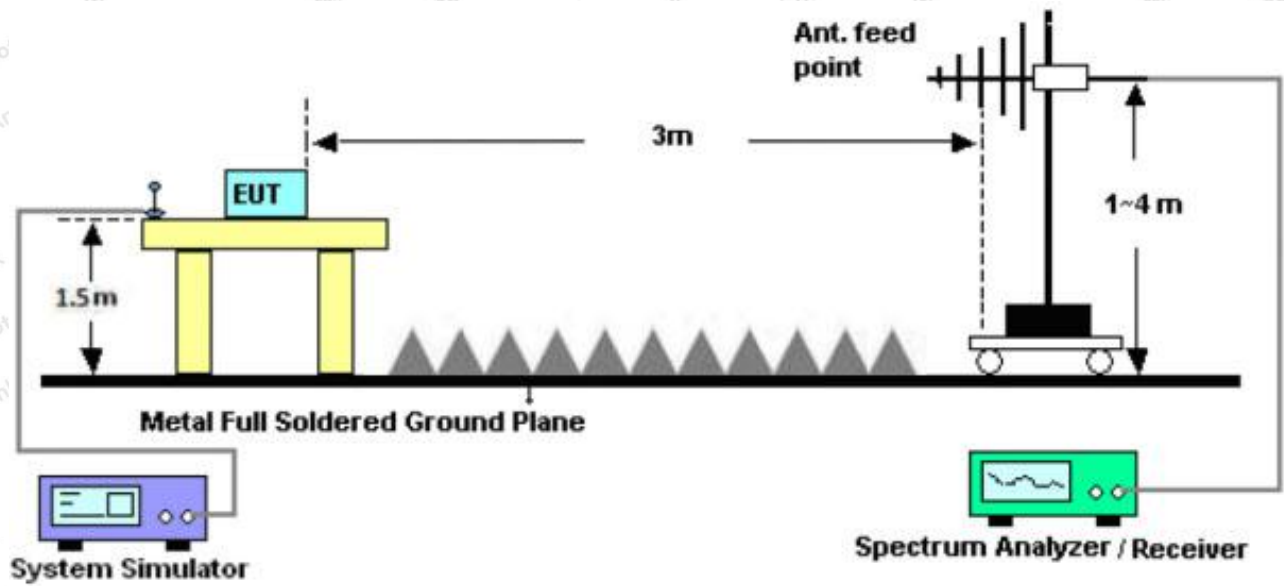
The power of any radiated spurious emission between 30MHz and 1GHz shall not exceed the values given in Table below

State (see note)	47 MHz to 74 MHz 87,5 MHz to 118 MHz 174 MHz to 230 MHz 470 MHz to 790 MHz	Other frequencies between 30 MHz to 1 000 MHz
Operating	4 nW	250 nW
Standby	2 nW	2 nW

NOTE: "Operating" means mode 2, 3 and 4 according to Table 2; "standby" means mode 1 according to Table 2.

5.2. Test Setup





5.3. Test Procedure

Refer to chapter 4.3.5 of EN 303 417 V1.1.1.

The conformance test suite for unwanted emissions shall be as defined in clause 6.2.1.

The manufacturer shall declare all necessary information (distance, orientation) which are necessary to set-up the different alignments as defined in clause 6.1.1 for each operational mode as defined in clause 4.2.3, Table 2.

Conformance shall be established under test conditions to be declared by the manufacturer according to clause 4.1. The interpretation of the results for the measurements uncertainty shall be as given in clause 5.11.

5.4. Test Data

Temperature:	23.1° C	Relative Humidity:	55%
Pressure:	1012 hPa	Test Voltage:	AC 230V, 50Hz for Adapter

Frequency Range	9kHz ~ 30MHz	Test Mode	Operating
-----------------	--------------	-----------	-----------

Freq. (KHz)	Reading (dB μ A/m)	Correct Factor(dB)	H _r (dB μ A/m)	Limit (dB μ A/m)	Margin (dB)
110.1	-10.31	7.85	-2.46	16.13	-18.59
12560	-24.92	11.87	-13.05	-3.50	-9.55

Note: The limit in dB μ A/m at 10 m

Frequency Range	30MHz ~ 1GHz	Test Mode	Operating
-----------------	--------------	-----------	-----------

SPURIOUS EMISSION LEVEL				
Frequency (MHz)	Antenna Polarization	Level (dBm)	Limit (dBm)	Margin (dB)
32.84	H	-41.88	-36	-5.88
97.21	H	-65.36	-54	-11.36
288.72	H	-63.32	-36	-27.32
402.09	H	-62.05	-36	-26.05
488.49	H	-63.85	-54	-9.85
764.04	H	-63.21	-54	-9.21
32.84	V	-42.09	-36	-6.09
97.21	V	-68.92	-54	-14.92
288.72	V	-61.11	-36	-25.11
402.09	V	-62.83	-36	-26.83
488.49	V	-61.10	-54	-7.10
764.04	V	-63.62	-54	-9.62

Note: The limit in dB μ A/m at 3 m

Frequency Range	9kHz ~ 30MHz	Test Mode	Standby
------------------------	--------------	------------------	---------

Freq. (KHz)	Reading (dBμA/m)	Correct Factor(dB)	H _f (dBμA/m)	Limit (dBμA/m)	Margin (dB)
110.1	-29.49	7.22	-22.27	-5.37	-16.90
12560	-49.90	11.73	-38.17	-25	-13.17

Note: The limit in dBμA/m at 10 m

Frequency Range	30MHz ~ 1GHz	Test Mode	Standby
------------------------	--------------	------------------	---------

SPURIOUS EMISSION LEVEL				
Frequency (MHz)	Antenna Polarization	Level (dBm)	Limit (dBm)	Margin (dB)
32.30	H	-60.86	-57	-3.86
98.74	H	-64.48	-57	-7.48
291.77	H	-70.69	-57	-13.69
399.43	H	-83.90	-57	-26.90
490.89	H	-80.00	-57	-23.00
759.73	H	-80.11	-57	-23.11
32.30	V	-61.46	-57	-4.46
98.74	V	-62.68	-57	-5.68
291.77	V	-71.89	-57	-14.89
399.43	V	-81.93	-57	-24.93
490.89	V	-79.53	-57	-22.53
759.73	V	-78.23	-57	-21.23

Note: The limit in dBμA/m at 3 m

6. Transmitter out of band (OOB) emissions

6.1. Test Limit

The OOB limits are visualized in figures 4 and 5; they are descending from the intentional limits from Table 3 at f_H/f_L with 10 dB/decade.

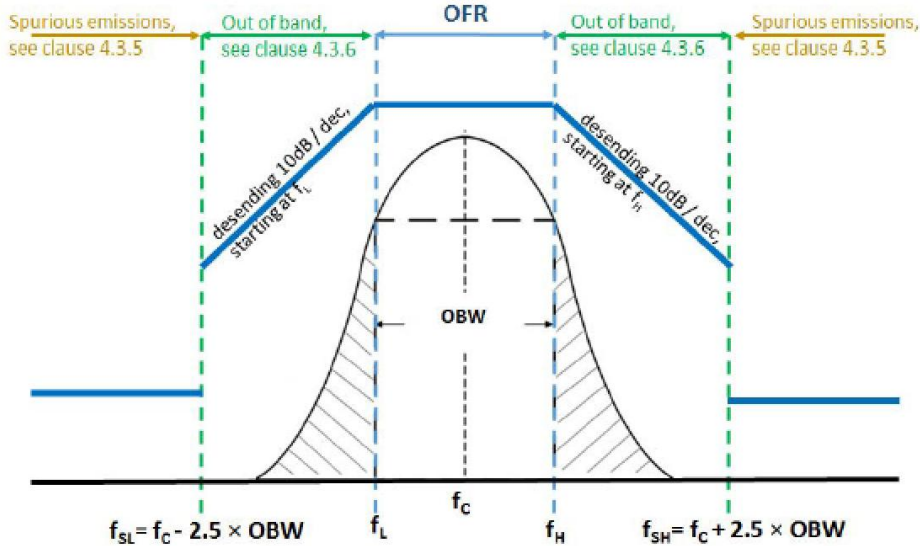
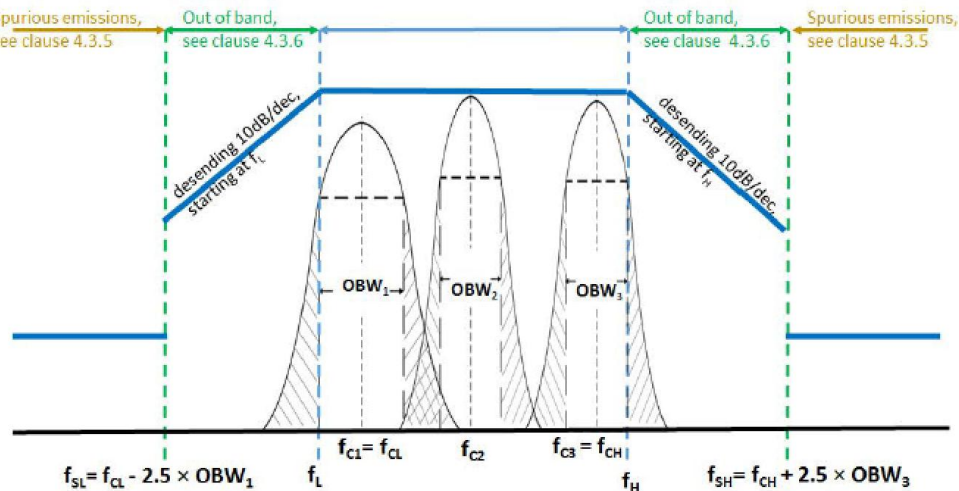


Figure 4: Out of band and spurious domain of a single frequency WPT system

The transmitter spurious emissions for a single frequency system are to be considered in frequency ranges defined in Figure 4 ($f < f_{SL}$ and $f > f_{SH}$).



The transmitter spurious emissions for a multi frequency system (within one WPT frequency range from Table 2) are to be considered in frequency ranges defined in Figure 5 ($f < f_{SL}$ and $f > f_{SH}$).

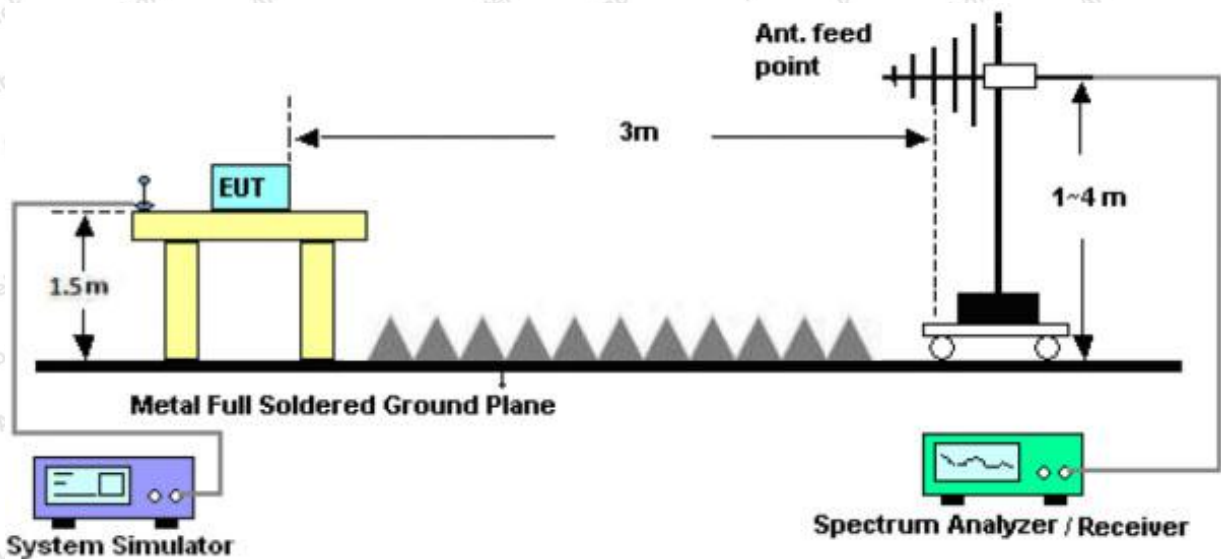
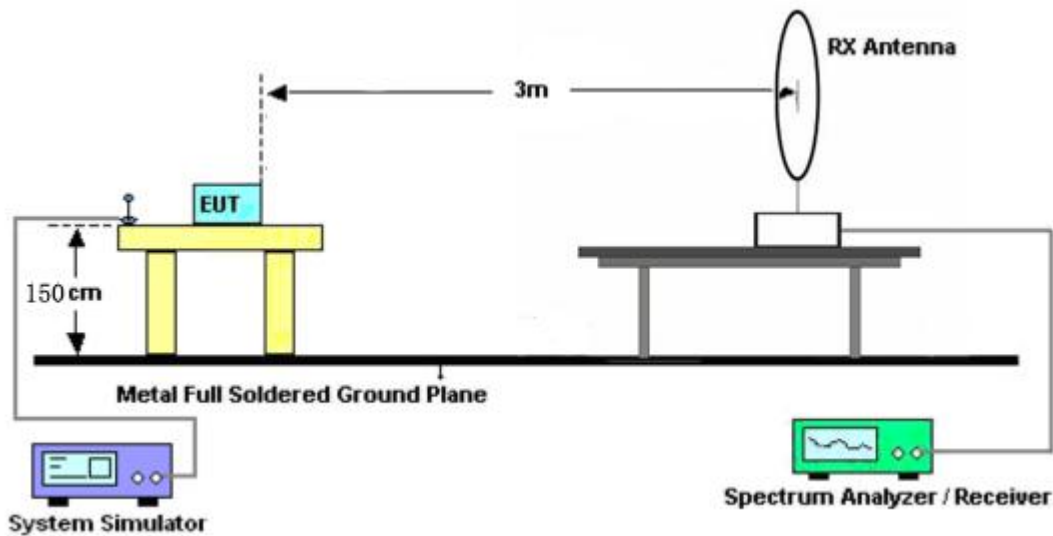
Table 3: H-field limits

Frequency range [MHz]	H-field strength limit [dB μ A/m at 10 m]	Comments
$0,019 \leq f < 0,021$	72	
$0,059 \leq f < 0,061$	69,1 descending 10 dB/dec above 0,059 MHz	See note 1
$0,079 \leq f < 0,090$	67,8 descending 10 dB/dec above 0,079 MHz	See note 2
$0,100 \leq f < 0,119$	42	
$0,119 \leq f < 0,135$	66 descending 10 dB/dec above 0,119 MHz	See note 1
$0,135 \leq f < 0,140$	42	
$0,140 \leq f < 0,1485$	37,7	
$0,1485 \leq f < 0,30$	-5	
$6,765 \leq f < 6,795$	42	

NOTE 1: Limit is 42 dB μ A/m for the following spot frequencies: 60 kHz \pm 250 Hz and 129,1 kHz \pm 500 Hz.

NOTE 2: At the time of preparation of the present document the feasibility of increased limits for high power wireless power transmission systems to charge vehicles [1.4] was prepared. New specific requirements for such systems (e.g. higher H-field emission limits in the 79 - 90 kHz band) will be reflected within a future revision of the present document.

6.2. Test Setup



Shenzhen Anbotek Compliance Laboratory Limited

Address: 1/F., Building D, Sogood Science and Technology Park, Sanwei Community, Hangcheng Street, Bao'an District, Shenzhen, Guangdong, China.

Tel: (86) 755-26066440 Fax: (86) 755-26014772 Email: service@anbotek.com

Hotline
400-003-0500
www.anbotek.com

6.3. Test Procedure

Refer to chapter 4.3.6 of EN 303 417 V1.1.1.

The conformance test suite for Transmitter out of band emissions is provided in clause 6.2.1.

Conformance shall be established under test conditions to be declared by the manufacturer according to clause 4.1. The interpretation of the results for the measurements uncertainty shall be as given in clause 5.11.

6.4. Test Data

Test Result: PASS

Test conditions	Frequency (KHz)	H-field@3m (db μ A)	Conversion Factor (dB)	H-field@10m (db μ A)	Limit@10m (dB μ A)	Result
NTNV	110.1	20.293	31.30	-11.007	42.00	Pass
	205	20.042	31.30	-11.258	-5	Pass

Remark: According to EN 300 330, $H_{3m}=H_{10m}+C_3$, Where, C_3 is a Conversion factor in dB determined from figure H.2.

7. WPT system unwanted conducted emissions

7.1. Test Limit

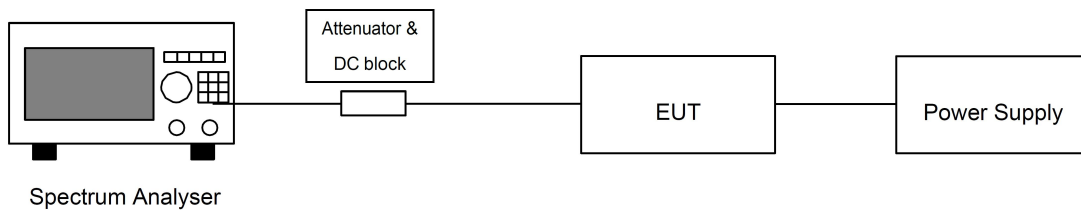
This applies to all WPT systems where the cable to the primary coil exceeds a length of 3 m and where the cable is not installed in the ground or any metallic structures.

The common mode current (I_{CM}) between 1 MHz and 30 MHz shall not exceed the following limit:

$$I_{CM} = 47 - 8 \times \log(f) \text{ dB}\mu\text{A}$$

NOTE: f is the frequency in MHz.

7.2. Test Setup



7.3. Test Procedure

Refer to chapter 4.3.7 of EN 303 417 V1.1.1.

The conformance test suite for common mode current shall be as defined in clause 6.2.4.

The manufacturer shall declare all necessary information (distance, orientation) which are necessary to set-up the different alignments as defined in clause 6.1.1 for each operational mode as defined in clause 4.2.3, Table 2.

Conformance shall be established under test conditions to be declared by the manufacturer according to clause 4.1. The interpretation of the results for the measurements uncertainty shall be as given in clause 5.11.

7.4. Test Data

N/A

The cable to the primary coil is less than 3 m

8. Receiver blocking

8.1. Test Limit

Receiver blocking limits

	In-band signal	OOB signal	Remote-band signal
Frequency	Centre frequency (f_c) of the WPT system (see clause 4.3.3)	$f = f_c \pm F$ (see note)	$f = f_c \pm 10 \times F$ (see note)
Signal level field strength at the EUT	72 dB μ A/m	72 dB μ A/m	82 dB μ A/m
NOTE: F = OFR see clause 4.3.3.			

8.2. Test Setup

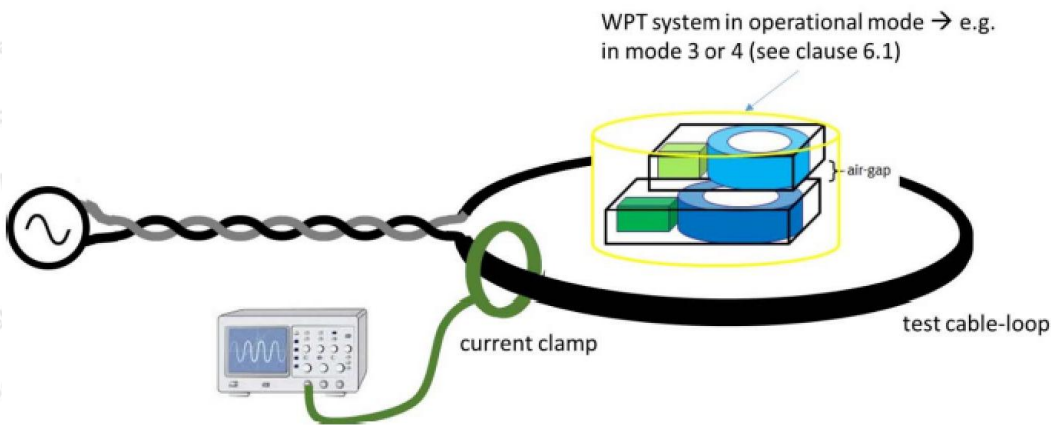


Figure 11: Schematic test set-up for the RX-blocking test

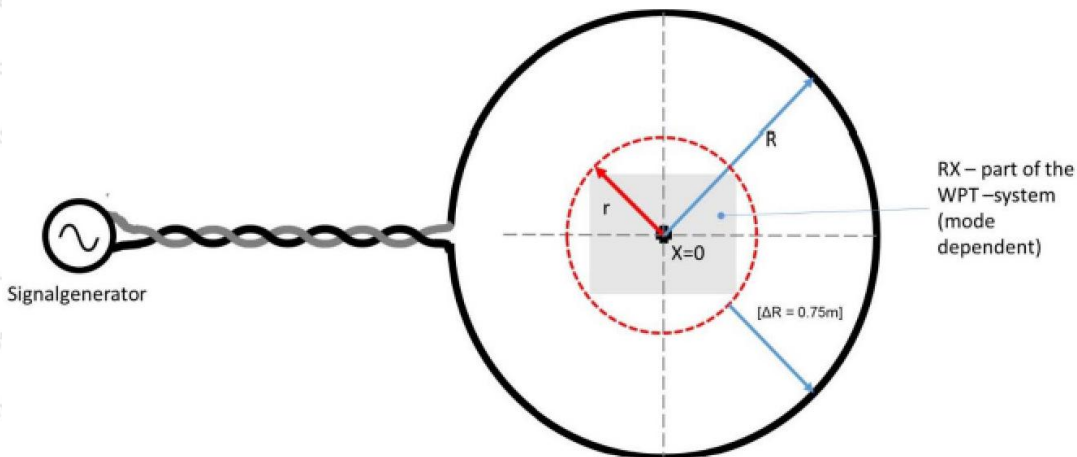


Figure 12: Schematic test set-up for the RX-blocking test

8.3. Test Procedure

Refer to chapter 4.4.2 of EN 303 417 V1.1.1.

The conformance test suite for performance criterion test shall be as defined in clause 6.3.2 and within the test-set-ups as defined in clause 6.1.

Conformance shall be established under test conditions to be declared by the manufacturer according to clause 4.1.

The interpretation of the results for the measurements uncertainty shall be as given in clause 5.11.

8.4. Test Data

Test Result: PASS

The product meets the wanted performance criterion at all times.

signal	performance
In-band signal	normal
OOB signal	normal
Remote-band signal	normal

APPENDIX I -- TEST SETUP PHOTOGRAPH

Photo of Radiation Emission Test



----- End of Report -----

Shenzhen Anbotek Compliance Laboratory Limited

Address: 1/F., Building D, Sogood Science and Technology Park, Sanwei Community, Hangcheng Street, Bao'an District, Shenzhen, Guangdong, China.
Tel: (86) 755-26066440 Fax: (86) 755-26014772 Email: service@anbotek.com

Hotline
400-003-0500
www.anbotek.com

RED-Health Test Report

Client Name : Mid Ocean Brands B.V.
Address : 7/F., Kings Tower, 111 King Lam Street, Cheung Sha Wan, Kowloon, Hong Kong
Product Name : Wireless Charger
Date : Apr. 14, 2022

Shenzhen Anbotek Compliance Laboratory Limited



Contents

1. General Information.....	4
1.1. Client Information.....	4
1.2. Description of Device (EUT).....	4
1.3. Auxiliary Equipment Used During Test.....	5
1.4. Test Equipment List.....	5
1.5. Description of Test Facility.....	5
2. General Product Information.....	6
2.1. Basic Restriction.....	6
2.2. Table for Filed Antenna.....	6
3. Test Result.....	7
3.1. Limit.....	7
3.2. Test results.....	8



TEST REPORT

Applicant : Mid Ocean Brands B.V.
Manufacturer : Mid Ocean Brands B.V.
Product Name : Wireless Charger
Model No. : MO9652
Trade Mark : N.A.
Rating(s) : Input: DC 5V/2A
Wireless output: 5W

Test Standard(s) : EN IEC 62311: 2020

The device described above is tested by Shenzhen Anbotek Compliance Laboratory Limited to determine the maximum emission levels emanating from the device and the severe levels of the device can endure and its performance criterion. The measurement results are contained in this test report and Shenzhen Anbotek Compliance Laboratory Limited is assumed full of responsibility for the accuracy and completeness of these measurements. Also, this report shows that the EUT (Equipment Under Test) is technically compliant with the EN IEC 62311: 2020 requirements.

This report applies to above tested sample only and shall not be reproduced in part without written approval of Shenzhen Anbotek Compliance Laboratory Limited.

Date of Receipt

Apr. 01, 2022

Date of Test

Apr. 01~13, 2022

Prepared By



(TuTu Hong)

Approved & Authorized Signer


(Kingkong Jin)

1. General Information

1.1. Client Information

Applicant	:	Mid Ocean Brands B.V.
Address	:	7/F., Kings Tower, 111 King Lam Street, Cheung Sha Wan, Kowloon, Hong Kong
Manufacturer	:	Mid Ocean Brands B.V.
Address	:	7/F., Kings Tower, 111 King Lam Street, Cheung Sha Wan, Kowloon, Hong Kong
Factory	:	Mid Ocean Brands B.V.
Address	:	7/F., Kings Tower, 111 King Lam Street, Cheung Sha Wan, Kowloon, Hong Kong

1.2. Description of Device (EUT)

Product Name	:	Wireless Charger	
Model No.	:	MO9652	
Trade Mark	:	N.A.	
Test Power Supply	:	AC 230V, 50Hz for Adapter	
Test Sample No.	:	1-2-1(Normal Sample), 1-2-2(Engineering Sample)	
Product Description	:	Operation Frequency:	110.1-205kHz
	:	Modulation Type:	FSK
	:	Antenna Type:	Inductive loop coil Antenna
	:	Antenna Gain(Peak):	0 dBi(Provided by customer)
	:	Adapter:	N/A
Remark: 1) For a more detailed features description, please refer to the manufacturer's specifications or the User's Manual.			



1.3. Auxiliary Equipment Used During Test

Adapter	:	Model: MDY-11-EX Input: 100-240V~50/60Hz, 07A Output: 5V---3A/ 9V---3A/ 12V---2.25A/ 20V---1.35A/ 11V---3A Max
Wireless charging load	:	Manufacturer: Shenzhen Ouju Technology Co., Ltd. M/N: CD2577 Power: 5W/7.5W/10W/15W Last Cal.: Oct. 26, 2021 Cal. Interval: 1 Year

1.4. Test Equipment List

Item	Equipment	Manufacturer	Model No.	Serial No.	Last Cal.	Cal. Interval
1	Electric and Magnetic field Analyzer	NARDA	EHP-200A	180ZX10202	Nov. 12, 2021	1 Year

1.5. Description of Test Facility

The test facility is recognized, certified, or accredited by the following organizations:

FCC-Registration No.: 184111

Shenzhen Anbotek Compliance Laboratory Limited, EMC Laboratory has been registered and fully described in a report filed with the (FCC) Federal Communications Commission. The acceptance letter from the FCC is maintained in our files. Registration No. 184111.

ISED-Registration No.: 8058A

Shenzhen Anbotek Compliance Laboratory Limited, EMC Laboratory has been registered and fully described in a report filed with the (ISED) Innovation, Science and Economic Development Canada. The acceptance letter from the ISED is maintained in our files. Registration 8058A.

Test Location

Shenzhen Anbotek Compliance Laboratory Limited.

1/F, Building D, Sogood Science and Technology Park, Sanwei community, Hangcheng Street, Bao'an District, Shenzhen, Guangdong, China.518128

2. General Product Information

2.1. Basic Restriction

The essential requirements of Directive 99/519/EC in the article 3.1(a) and the limits must be taken from Council Recommendation 99/519/EC for General Population or from the ICNIRP Guidelines for Occupational Exposure. EN 50371:2002 Generic standard to demonstrate the compliance of low power electronic and electrical apparatus with the basic restrictions related to human exposure to electromagnetic fields. The average power of EUT is less than 20mW then comply with basic restriction (1999/519/EC) without test.

2.2. Table for Filed Antenna

No.	Antenna Type	Gain (dBi)
1.	Inductive loop coil Antenna	0

3. Test Result

3.1. Limit

Council Recommendation 99/519/EC Annex III

Reference levels for electric, magnetic and electromagnetic fields (0Hz to 300GHz)

Frequency range	E-field strength (V/m)	H-field strength (A/m)	B-field (μT)	Equivalent plane wave power density Seq (W/m ²)
0-1Hz	-	3,2×10 ⁴	4×10 ⁴	-
1-8Hz	1000	3,2×10 ⁴ /f ²	4×10 ⁴ /f ²	-
8-25Hz	1000	4000/f	5000/f	-
0.025Hz-0,8kHz	250/f	4/f	5/f _{6,25}	-
0,8-3kHz	250/f	5	6,25	-
3-150kHz	87	5	6,25	-
0,15-1MHz	87	0.73/f	0,92/f	-
1-10MHz	87/f ^{1/2}	0.73/f	0,92/f	-
10-400MHz	28	0.073	0,092	2
400-2000MHz	1,375 f ^{1/2}	0,0037 f ^{1/2}	0,0046f ^{1/2}	f/200
2-300GHz	61	0,16	0,20	10

Note:

(1)As indicated in the frequency range column.

(2)For frequencies between 100kHz and 10GHz, Seq, E2, H2 and B2 are to be averaged over any six-minute period.

(3)For frequencies exceeding 10GHz, Seq, E2, H2 and B2 are to be averaged over any 68/.1.05-minute period (.in GHz).

(4)No E-field value is provided for frequencies <1Hz, which are effectively static electric fields. For most people the annoying perception of surface electric charges will not occur at field strengths less than 20kV/m. Spark discharges causing stress or annoyance should be avoided.



3.2. Test results

Temperature:	24° C	Relative Humidity:	55 %
Pressure:	1012 hPa	Test Voltage:	AC 230V, 50Hz for Adapter

E-Filed Strength at 10 cm from the edges surrounding the EUT (V/m)

Test Position	Probe Measure Result (V/m)			Limits (V/m)	Result
	Full Load	Zero Charge	Intermediate Charge		
A	5.72	7.22	3.87	87	Pass
B	4.67	5.57	5.32	87	Pass
C	1.92	2.45	2.69	87	Pass
D	4.69	2.08	4.18	87	Pass
E	4.26	2.69	4.98	87	Pass
F	3.27	2.68	4.76	87	Pass

H-Filed Strength at 10 cm from the edges surrounding the EUT (A/m)

Test Position	H-Filed Strength Measure Result						Limits (A/m)	Result
	Full Load		Zero Charge		Intermediate Charge			
	uT	A/m	uT	A/m	uT	A/m		
A	0.069	0.055	0.295	0.236	0.317	0.254	5	Pass
B	0.038	0.030	0.178	0.142	0.292	0.234	5	Pass
C	0.182	0.146	0.056	0.045	0.037	0.030	5	Pass
D	0.131	0.105	0.099	0.079	0.288	0.230	5	Pass
E	0.274	0.219	0.211	0.169	0.154	0.123	5	Pass
F	0.107	0.086	0.189	0.151	0.305	0.244	5	Pass

Note: A/m = uT / 1.25

----- End of Report -----